

ALTAIR® 4X Multigas Detector Détecteur multigaz ALTAIR® 4X Detector multigases ALTAIR® 4X

Instruction Manual
Manuel d'utilisation
Manual de funcionamiento



In North America, to contact your nearest stocking location, dial toll-free 1-800-MSA-2222
To contact MSA International, dial 1-724-776-8626 or 1-800-MSA-7777.

© MINE SAFETY APPLIANCES COMPANY 2011 - All Rights Reserved
This manual is available on the internet at www.msanet.com

En Amérique du Nord, pour contacter notre dépôt le plus proche, composez le numéro
gratuit 1-800-MSA-2222. Pour contacter MSA International, composez le 1-724-776-8626 ou
le 1-800-MSA-7777.

© MINE SAFETY APPLIANCES COMPANY 2011 - Tous droits réservés
Ce manuel est disponible sur l'Internet au www.msanet.com

Para comunicarse con su localización de aprovisionamiento más cercana en América del
Norte, llame sin tarifa al 1-800-MSA-2222. Para comunicarse con MSA International, marque
el 1-724-776-8626 ó 1-800-MSA-7777.

© MINE SAFETY APPLIANCES COMPANY 2011 - Se reservan todos los derechos.
Este manual puede obtenerse en la Internet en el sitio: www.msanet.com

(L) Rev 4



Ex-Ox-Tox Gasdetectie
Westerdreef 5V
2152 CS Nieuw-Vennep 10105903
Telephone: 0252 620885
E-mail: info@exotox.nl
Website: www.exotox.nl

ALTAIR[®] 4X Multigas Detector

Instruction Manual



In North America, to contact your nearest stocking location, dial toll-free 1-800-MSA-2222
To contact MSA International, dial 727-776-8626 or 1-800-MSA-7777.

© MINE SAFETY APPLIANCES COMPANY 2011 - All Rights Reserved

This manual is available on the internet at www.msanet.com

Manufactured by

MSA NORTH AMERICA

1000 Cranberry Woods Drive
Cranberry Township, Pennsylvania 16066

(L) Rev 4

10105903

⚠ WARNING

THIS MANUAL MUST BE CAREFULLY READ BY ALL INDIVIDUALS WHO HAVE OR WILL HAVE THE RESPONSIBILITY FOR USING OR SERVICING THE PRODUCT. Like any piece of complex equipment, this instrument will perform as designed only if it is used and serviced in accordance with the manufacturer's instructions. OTHERWISE, IT COULD FAIL TO PERFORM AS DESIGNED AND PERSONS WHO RELY ON THIS PRODUCT FOR THEIR SAFETY COULD SUSTAIN SEVERE PERSONAL INJURY OR DEATH.

The warranties made by Mine Safety Appliances Company with respect to the product are voided if the product is not used and serviced in accordance with the instructions in this manual. Please protect yourself and others by following them. We encourage our customers to write or call regarding this equipment prior to use or for any additional information relative to use or repairs.

1. Instrument Safety	1-1
1.1. Correct Use	1-1
1.2. Safety and Precautionary Measures	1-3
Observe proper battery maintenance	1-4
Be aware of environmental conditions	1-4
Be aware of the procedures	
for handling electrostatically sensitive electronics	1-4
Be aware of the product regulations	1-4
Be aware of the warranty regulations	1-5
1.3. Warranty	1-5
1.3.1 Warranty	1-5
1.3.2 Exclusive Remedy	1-6
1.3.3 Exclusion of Consequential Damage	1-6
2. Description	2-1
2.1. Instrument Overview	2-1
Figure 2-1. Instrument View	2-1
2.2 Device Hardware Interfaces	2-2
2.2.1 Button Definitions	2-2
2.2.2 LED Definitions	2-2
2.2.3 Vibrating Alarm	2-3
2.2.4 Backlight	2-3
2.2.5 Horn	2-3
2.2.6 On-Screen Indicators	2-4
Figure 2-2. Display and Graphic Symbols	2-4
2.2.7 Battery Life Indicator	2-5
Battery Warning	2-5
Battery Shutdown	2-6
Battery Charging	2-6
To Charge the Instrument	2-7
2.2.8 Operating Beep	2-7
2.3 Viewing Optional Displays	2-7
2.3.1 Bump Mode	2-7
2.3.2 Peak Readings (PEAK page)	2-8
2.3.3 Minimum Readings (MIN page)	2-8
2.3.4 Short Term Exposure Limits (STEL page)	2-8
STEL calculation examples:	2-9
2.3.5 Time Weighted Average (TWA Page)	2-9

To Reset the TWA Readings	2-9
TWA Calculation Examples:	2-10
2.3.6 Time Display	2-10
2.3.7 Date Display	2-10
2.3.8 Last Cal Page	2-10
2.3.9 Cal Due Page	2-10
2.3.10 Motion Alert Page	2-10
2.4 Sensor Missing Alarm	2-11
2.5 Sensor Life Warning	2-11
2.6 Sensor Life Indicator	2-11
2.7 Monitoring Toxic Gases	2-11
2.8 Monitoring Oxygen Concentration	2-12
2.9 Monitoring Combustible Gases	2-13

3. Operation **3-1**

3.1. Environmental Factors	3-1
Pressure Changes	3-1
Humidity Changes	3-1
Temperature Changes	3-1
3.2. Turning ON and Fresh Air Setup	3-2
3.2.1 Screen Displays during Startup	3-3
Instrument Self Test	3-3
Instrument Name and Software version	3-3
Combustible Gas Type	3-3
Toxic Gas Units	3-3
Alarm Setpoints	3-4
STEL and TWA Setpoints	3-4
Calibration Values	3-4
Time and Date	3-4
Last CAL Date and CAL Due	3-5
Fresh Air Setup (FAS)	3-5
3.2.2 Fresh Air Setup (FAS)	3-5
3.3. Measurement Mode (Normal Operation)	3-6
Bump Page	3-6
Figure 3-1. Fresh Air Setup	3-6
Peak Page	3-7
Min Page	3-7
STEL Page	3-7

TWA Page	3-7
Time / Date Page	3-7
Motion Alert	3-8
3.4 Instrument Setup	3-8
3.4.1 Sensor Setup	3-9
Figure 3-2. Sensor Setup	3-9
3.4.2 Calibration Setup	3-10
3.4.3 Alarm Setup	3-10
Figure 3-3. Calibration Setup	3-10
Figure 3-4. Alarm Setup	3-11
3.4.4 Setup Time and Date	3-12
3.5 Data Logging	3-12
Connecting Instrument to PC	3-12
Figure 3-5. Date and Time Setup	3-12
3.6 Function Tests on the Instrument	3-13
Alarm Test	3-13
3.7 Safe LED	3-13
3.8 Bump Test	3-13
3.8.1 Equipment.	3-14
3.8.2 Performing a Bump Test	3-14
3.9 Calibration	3-16
3.9.1 Fresh Air Setup and Zero Calibration	3-16
3.9.2 Span Calibration	3-17
3.9.3 Finishing Calibration	3-19
4. Maintenance	4-1
4.1 Troubleshooting	4-2
4.2 Live Maintenance Procedure - Replacing and Adding a Sensor	4-3
4.3 Cleaning the Instrument	4-5
4.4 Storage	4-5
4.5 Shipment	4-5

5. Technical Specifications/Certifications . . .5-1

5.1 Technical Specifications5-1
5.2 Factory-set Alarm Thresholds and Setpoints5-2
5.3 Certifications5-2
Performance Specification5-3
5.4.1 Combustible Gas5-3
5.4.2 Oxygen5-3
5.4.3 Carbon Monoxide5-4
5.4.4 Hydrogen Sulfide5-5
5.5 XCell® Sensor Patents5-5

6. Order Information6-1

7. Appendix – Flow Charts7-1

7.1. Start Up Sequence (Power ON)7-1
7.2 Fresh Air Setup7-2
7.3 Reset Screen Controls7-3
7.4 Bump Test7-5
7.5 Options Setup7-6
7.6 Sensor Setup7-7
7.7 Calibrations7-8
7.8 Alarm Setup7-9
7.9 Time and Date Setup7-10

1. Instrument Safety

1.1. Correct Use

The ALTAIR 4X Multigas Detector is for use by trained and qualified personnel. It is designed to be used when performing a hazard assessment to:

- Assess potential worker exposure to combustible and toxic gases and vapors as well as low level of oxygen.
- Determine the appropriate gas and vapor monitoring needed for a workplace.

The ALTAIR 4X Multigas Detector can be equipped to detect:

- Combustible gases and certain combustible vapors
- Oxygen-deficient or oxygen-rich atmospheres
- Specific toxic gases for which a sensor is installed.

NOTE: While the instrument can detect up to 30% oxygen in ambient air, it is approved for use only up to 21% oxygen.

WARNING

Read and follow all instructions carefully.

- **Perform a bump test before each day's use and adjust if necessary.**
- **Perform a bump test more frequently if exposed to silicone, silicates, lead-containing compounds, hydrogen sulfide, or high contaminant levels.**
- **Recheck calibration if unit is subjected to physical shock.**
- **Use only to detect gases/vapors for which a sensor is installed.**
- **Do not use to detect combustible dusts or mists.**
- **Make sure adequate oxygen is present for accurate combustible readings (>10% O₂).**
- **Do not block sensors.**
- **Have a trained and qualified person interpret instrument readings.**

- **Do not recharge Li polymer battery in a combustible atmosphere.**
- **Do not alter or modify instrument.**

INCORRECT USE CAN CAUSE SERIOUS PERSONAL INJURY OR DEATH.

NOTE: This equipment has been tested and found to comply with the limits for a Class A digital device, pursuant to part 15 of the FCC Rules. These limits are designed to provide reasonable protection against harmful interference when the equipment is operated in a commercial environment. This equipment generates, uses, and can radiate radio frequency energy and, if not installed and used in accordance with the instruction manual, may cause harmful interference to radio communications. Operation of this equipment in a residential area is likely to cause harmful interference in which case the user will be required to correct the interference at his own expense.

⚠ WARNING

This is a class A product in accordance with CISPR 22. In a domestic environment, this product may cause radio interference, in which case the user may be required to take adequate measures.

This Class A digital apparatus complies with Canadian ICES-003.

+For users in Australia / New Zealand:

⚠ WARNING

This is a class A product. In a domestic environment, this product may cause radio interference in which case the user may be required to take adequate measures.

1.2. Safety and Precautionary Measures

⚠ WARNING

Carefully review the following safety limitations and precautions before placing this instrument in service. Incorrect use can cause serious personal injury or death.

- Check function (see section 3.6) each day before use. MSA recommends carrying out a routine inspection prior to each day's use.
- Perform a Bump Test (see section 3.8) before each day's use to verify proper instrument operation. The instrument must pass the bump test. If it fails the test, perform a calibration (see section 3.9) before using the instrument.
- Perform a bump test more frequently if the unit is subjected to physical shock or high levels of contaminants. Also, perform a bump test more frequently if the tested atmosphere contains the following materials, which may desensitize the combustible gas sensor and reduce its readings:
 - Organic silicones
 - Silicates
 - Lead-containing compounds
 - Hydrogen sulfide exposures over 200 ppm or exposures over 50 ppm for one minute.
- The minimum concentration of a combustible gas in air that can ignite is defined as the Lower Explosive Limit (LEL). A combustible gas reading of "XXX" indicates the atmosphere is above 100 % LEL or 5.00 %vol CH₄, and an explosion hazard exists. Move away from hazardous area immediately.
- Do not use the ALTAIR 4X Multigas Detector to test for combustible or toxic gases in the following atmospheres as this may result in erroneous readings:
 - Oxygen-deficient or oxygen-rich atmospheres
 - Reducing atmospheres
 - Furnace stacks
 - Inert environments
 - Atmospheres containing combustible airborne mists/dusts.

- Do not use the ALTAIR 4X Multigas Detector to test for combustible gases in atmospheres containing vapors from liquids with a high flash point (above 38°C, 100°F) as this may result in erroneously low readings.
- Do not block sensor openings as this may cause inaccurate readings. Do not press on the face of the sensors, as this may damage them and cause erroneous readings. Do not use compressed air to clean the sensor holes, as the pressure may damage the sensors.
- Allow sufficient time for unit to display accurate reading. Response times vary based on the type of sensor being utilized (see Section 5.4, "Performance Specifications").
- All instrument readings and information must be interpreted by someone trained and qualified in interpreting instrument readings in relation to the specific environment, industrial practice and exposure limitations.

Risk of explosion: Do not recharge instrument in hazardous area.

Observe proper battery maintenance

Use only battery chargers made available by MSA for use with this instrument; other chargers may damage the battery pack and the unit. Dispose of in accordance with local health and safety regulations. Use of the GALAXY Automated Test System is an alternate approved method for charging ALTAIR 4X instruments

Be aware of environmental conditions

A number of environmental factors may affect the sensor readings, including changes in pressure, humidity and temperature.

Pressure and humidity changes also affect the amount of oxygen actually present in the atmosphere.

Be aware of the procedures for handling electrostatically sensitive electronics

The instrument contains electrostatically sensitive components. Do not open or repair the unit without using appropriate electrostatic discharge (ESD) protection. The warranty does not cover damage caused by electrostatic discharges.

Be aware of the product regulations

Follow all relevant national regulations applicable in the country of use.

Be aware of the warranty regulations

The warranties made by Mine Safety Appliances Company with respect to the product are voided if the product is not used and maintained in accordance with the instructions in this manual. Please protect yourself and others by following them. We encourage our customers to write or call regarding this equipment prior to use or for any additional information relative to use or service.

1.3. Warranty

ITEM	WARRANTY PERIOD
Chassis and electronics	Three years
All sensors unless otherwise specified	Three years

1.3.1 Warranty

This warranty does not cover filters, fuses, etc. Certain other accessories not specifically listed here may have different warranty periods. This warranty is valid only if the product is maintained and used in accordance with Seller's instructions and/or recommendations.

The Seller shall be released from all obligations under this warranty in the event repairs or modifications are made by persons other than its own or authorized service personnel or if the warranty claim results from physical abuse or misuse of the product. No agent, employee or representative of the Seller has any authority to bind the Seller to any affirmation, representation or warranty concerning this product. Seller makes no warranty concerning components or accessories not manufactured by the Seller, but will pass on to the Purchaser all warranties of manufacturers of such components.

THIS WARRANTY IS IN LIEU OF ALL OTHER WARRANTIES, EXPRESSED, IMPLIED OR STATUTORY, AND IS STRICTLY LIMITED TO THE TERMS HEREOF. SELLER SPECIFICALLY DISCLAIMS ANY WARRANTY OF MERCHANTABILITY OR OF FITNESS FOR A PARTICULAR PURPOSE.

1.3.2 Exclusive Remedy

It is expressly agreed that Purchaser's sole and exclusive remedy for breach of the above warranty, for any tortious conduct of Seller, or for any other cause of action, shall be the replacement at Seller's option, of any equipment or parts thereof, which after examination by Seller is proven to be defective.

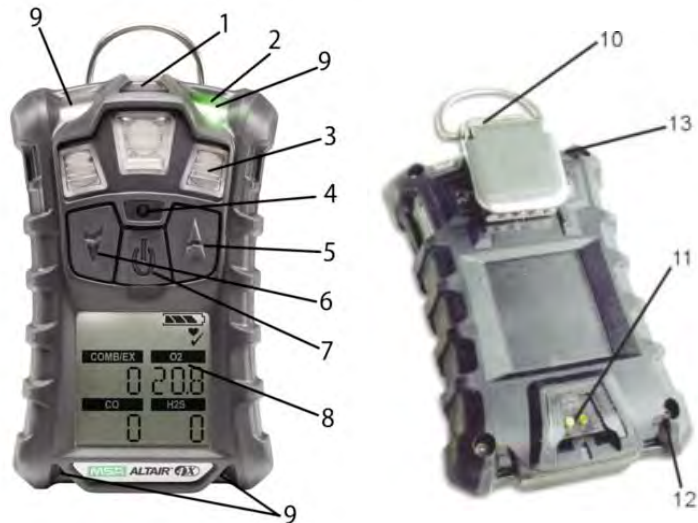
Replacement equipment and/or parts will be provided at no cost to Purchaser, F.O.B. Seller's Plant. Failure of Seller to successfully replace any nonconforming equipment or parts shall not cause the remedy established hereby to fail of its essential purpose.

1.3.3 Exclusion of Consequential Damage

Purchaser specifically understands and agrees that under no circumstances will seller be liable to purchaser for economic, special, incidental or consequential damages or losses of any kind whatsoever, including but not limited to, loss of anticipated profits and any other loss caused by reason of nonoperation of the goods. This exclusion is applicable to claims for breach of warranty, tortious conduct or any other cause of action against seller.

2. Description

2.1. Instrument Overview



- | | | | |
|---|---|----|------------------------|
| 1 | MSA link Communication | 8 | Display |
| 2 | Safe LED (green) and Fault LED (yellow) | 9 | Alarm LEDs (4) |
| 3 | Sensor Inlets | 10 | Clip |
| 4 | Horn | 11 | Charging Connection |
| 5 | ▲ Button | 12 | Screws (4) |
| 6 | ▼ Button | 13 | Charge LED (red/green) |
| 7 | ⊕ Button | | |

Figure 2-1. Instrument View

The instrument monitors gases in ambient air and in the workplace.

The ALTAIR 4X is available with a maximum of three sensors, which can display readings for four separate gases (one Two Toxic Sensor provides both CO and H₂S sensing capabilities in a single sensor).

While the instrument can detect up to 30% oxygen in ambient air, it is approved for use only up to 21% oxygen.

The alarm levels for the individual gases are factory-set and can be changed through the instrument Setup Menu. These changes can also be made through MSA Link™ Software. Ensure that the latest version of

the MSA Link software has been downloaded from MSA's website www.msanet.com.

If gas is present during Fresh Air Setup, the instrument will fail and enter Measure mode.

2.2 Device Hardware Interfaces

Instrument operation is dialog driven from the display with the aid of the three function buttons (see FIGURE 2-1).

2.2.1 Button Definitions

BUTTON	DESCRIPTION
⊕	The ⊕ Button is used to turn instrument ON or OFF and to confirm user action selections. When the ▲ button and the ⊕ button are pressed simultaneously at instrument start-up, the Options Setup mode displays.
▼	The ▼ Button is used to page down through data screens in measuring mode or as a page back and to decrease the values in Setup mode. Holding this button for 3 seconds while in Normal Measure mode activates the InstantAlert™ alarm.
▲	The ▲ button is used to reset peak, STEL TWA and acknowledge alarms (where possible) or access calibration in Measuring mode. It is also used as page up or to increase the values in Setup mode.

2.2.2 LED Definitions

LED	DESCRIPTION
GREEN	The Safe LED flashes once every 15 seconds to notify the user that the instrument is ON and operating under the conditions defined in Section 3.7. This option can be turned OFF through the MSA Link software
RED	The Alarm LEDs are visual indications of an alarm condition or any type of error in the instrument
YELLOW	The yellow LED is a visual indication of an instrument fault condition. This LED turns ON with the following conditions: <ul style="list-style-type: none"> • Instrument memory error • Sensor Missing • Sensor Error
RED / GREEN	The Charge LED is a visual indication of charge status. Red indicates the instrument is charging Green indicates the charge is complete

2.2.3 Vibrating Alarm

The instrument is equipped with a vibrating alarm.

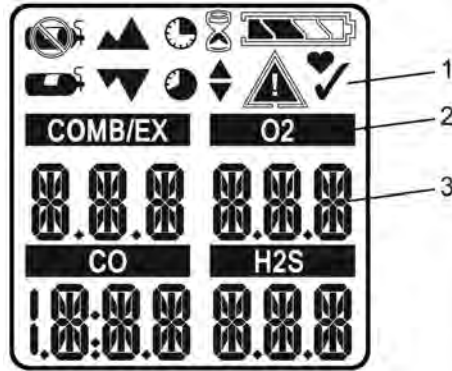
2.2.4 Backlight

The backlight automatically activates when any front panel button is pressed and remains ON for the duration of user-selected timeout. This ON/OFF duration can be changed through MSA Link software.

2.2.5 Horn

The horn provides an audible alarm.

2.2.6 On-Screen Indicators



- 1 Graphic Symbols
- 2 Gas Type
- 3 Gas Concentration

	Alarm Symbol – Indicates alarm state		No Gas Cylinder – Indicates cal gas should not be applied and instrument must be exposed to fresh air
	Bump Check Symbol – Indicates successful bump or cal		Hourglass – Indicates user should wait
	Indicates required interaction		Minimum – Indicates a minimum value or low alarm
	Battery Condition – Indicates the battery charge level		PEAK Symbol – Indicates a PEAK reading or high alarm
	Sensor Labels		STEL Symbol – Indicates a STEL alarm
	Motion Alert™ – Indicates Motion Alert is active		TWA Symbol – Indicates a TWA alarm
	Cal Gas Cylinder – Indicates cal gas must be applied		End of Sensor Life Warning/Indicator

Figure 2-2. Display and Graphic Symbols

2.2.7 Battery Life Indicator

The battery condition icon continuously displays in the upper right-hand corner of the color display. As the battery is depleted, battery icon segments blank until only the battery icon outline remains.

Each indicator segment represents approximately 25% of the total battery capacity.

Battery Warning

⚠ WARNING

If battery warning alarm activates while using the instrument, leave the area immediately as the end of battery life is approaching.


Failure to follow this warning can result in serious personal injury or death.

The nominal run-time of the instrument at room temperature is 24 hours. Actual run-time will vary depending on ambient temperature and alarm conditions. Instrument run-time at -4°F (-20°C) is approximately 14 hours.

A Low Battery Warning indicates that a nominal 30 minutes of operation remain before the battery's charge is depleted.

The duration of remaining instrument operation during a Low Battery Warning depends on ambient temperatures.

When the instrument goes into Low Battery Warning, the:


- battery life indicator flashes
- alarm sounds
- alarm LEDs flash
- display flashes "LOW BATT" and 
- instrument repeats this warning every 15 seconds and continues to operate until it is turned OFF or battery shutdown occurs

Battery Shutdown

⚠ WARNING

If the battery shutdown alarm activates, stop using the instrument as it no longer has enough power to indicate potential hazards, and persons relying on this product for their safety could sustain serious personal injury or death.

The instrument goes into battery shutdown mode 60 seconds before final shutdown (when the batteries can no longer operate the instrument):

- "BATT ALARM" and  flash on the display
- Alarm sounds and lights flash; alarm cannot be silenced
- No other pages can be viewed; after approximately one minute, the instrument automatically turns OFF.

When battery shutdown condition occurs:

1. Leave the area immediately.
2. Recharge or replace the battery pack.

Battery Charging

⚠ WARNING

Risk of explosion: Do not recharge instrument in hazardous area.

⚠ CAUTION



Use of any charger, other than the Charger supplied with the instrument, may damage or improperly charge the batteries.

- The charger is capable of charging a completely depleted pack in less than four hours in normal, room-temperature environments.

NOTE: Allow very hot or cold instruments to stabilize for one hour at room temperature before attempting to charge.

- Minimum and maximum ambient temperature to charge the instrument is 10°C (50°F) and 35°C (95°F), respectively.
- For best results, charge the instrument at room temperature (23°C).

To Charge the Instrument

- Firmly insert the charger connector into the charge port on the back of the instrument.
- The battery symbol  scrolls through a progressively increasing number of segments and the charge LED is red until 90% of full charge is obtained. Then,  remains fully illuminated and the charge LED turns green while the battery is trickle charged to its full capacity.
- If a problem is detected during charging, the battery symbol flashes and the charge LED is orange. Disconnect the charger momentarily to reset the charge cycle.

2.2.8 Operating Beep

This operating beep activates every 30 seconds by momentarily beeping the horn and flashing the alarm LEDs under the following conditions:

- Operating beep is enabled
- Instrument is on normal Measure Gases page
- Instrument is not in battery warning
- Instrument is not in gas alarm
- Audible and visual options are enabled

2.3 Viewing Optional Displays

The Main Screen appears at instrument turn-ON.

Optional displays can be viewed by pressing the ▼ button to move to:

2.3.1 Bump Mode

To select the Bump mode, press the  button

To move forward, press the ▼ button.

To move backward to the Main page, press the ▲ button.

2.3.2 Peak Readings (PEAK page)

The peak icon ▲ shows the highest levels of gas recorded by the instrument since turn-ON or since peak readings were reset.

To reset the peak readings:

1. Access the PEAK page.
2. Press the ▲ button.

2.3.3 Minimum Readings (MIN page)

This page shows the lowest level of oxygen recorded by the instrument since turn-ON or since the MIN reading was reset.

The minimum icon ▼ appears on the display

To reset the MIN readings:

1. Access the MIN page.
2. Press the ▲ button.

2.3.4 Short Term Exposure Limits (STEL page)

⚠ WARNING

If the STEL alarm activates, leave the contaminated area immediately; the ambient gas concentration has reached the preset STEL alarm level. Failure to follow this warning will cause over-exposure to toxic gases and persons relying on this product for their safety could sustain serious personal injury or death.

The STEL icon ● appears on the display to show the average exposure over a 15-minute period.

When the amount of gas detected by the instrument is greater than the STEL limit:

- Alarm sounds
- Alarm LEDs flash
- STEL icon flashes.

To reset the STEL:

1. Access the STEL page.

2. Press the ▲ button.

The STEL alarm is calculated over a 15-minute exposure.

STEL calculation examples:

Assume the instrument has been running for at least 15 minutes:

- **15-minute exposure of 35 ppm:**

$$\frac{(15 \text{ minutes} \times 35 \text{ PPM})}{15 \text{ minutes}} = 35 \text{ PPM}$$

- **10-minute exposure of 35 ppm and
5 minute-exposure of 15 ppm:**


$$\frac{(10 \text{ minutes} \times 35 \text{ PPM}) + (5 \text{ minutes} \times 15 \text{ PPM})}{15 \text{ minutes}} = 25 \text{ PPM}$$

This page can be de-activated through MSA Link.

2.3.5 Time Weighted Average (TWA Page)

⚠ WARNING

If the TWA alarm activates, leave the contaminated area immediately; the ambient gas concentration has reached the preset TWA alarm level. Failure to follow this warning will cause over-exposure to toxic gases and persons relying on this product for their safety could sustain serious personal injury or death.

The TWA icon  appears on the display to show the average exposure since the instrument was turned ON or since the TWA reading was reset. When the amount of gas detected is greater than the eight-hour TWA limit:

- alarm sounds
- alarm lights flash
- TWA icon flashes.

To Reset the TWA Readings

1. Access the TWA Page.
2. Press the ▲ button.

The TWA alarm is calculated over an eight-hour exposure.

TWA Calculation Examples:

- **1-hour exposure of 50 ppm:**

$$\frac{(1 \text{ hour} \times 50 \text{ PPM}) + (7 \text{ hours} \times 0 \text{ PPM})}{8 \text{ hours}} = 6.25 \text{ PPM}$$

- **4-hour exposure of 50 ppm and
4-hour exposure of 100 ppm:**

$$\frac{(4 \text{ hours} \times 50 \text{ PPM}) + (4 \text{ hours} \times 100 \text{ PPM})}{8 \text{ hours}} = 75 \text{ PPM}$$

- **12-hour exposure of 100 ppm:**

$$\frac{(12 \text{ hours} \times 100 \text{ PPM})}{8 \text{ hours}} = 150 \text{ PPM}$$

2.3.6 Time Display

Current time appears on the display in a 12-hour format by default.

A 24-hour format can be selected using MSA Link.

2.3.7 Date Display

Current date appears on the display in the format: MM-DD-YYYY.

2.3.8 Last Cal Page

Displays the instrument's last successful calibration date in the format: MM-DD-YYYY.

2.3.9 Cal Due Page

Displays the days until the instrument's next calibration is due (user selectable).

2.3.10 Motion Alert Page

To activate or deactivate the Motion Alert feature, press the ▲ button while the Motion Alert Activation page is displayed. When the Motion Alert feature is active, the △ symbol flashes every 3 seconds. The instrument enters pre-alarm when no motion is detected for 20 seconds. This condition can be cleared by moving the instrument.

After 30 seconds of inactivity, the full Motion Alert alarm is triggered. This alarm can only be cleared by pressing the ▲ button

2.4 Sensor Missing Alarm

The instrument enters the Sensor Missing alarm if the instrument detects that a sensor is not properly installed in the instrument.

If a sensor is detected as missing, the following occurs:

- "SENSOR ERROR" displays
- The flag above the sensor detected as missing flashes on the display
- Alarm sounds and lights flash
- Yellow Fault LED is on solid
- If there is a sensor error at startup, the instrument shuts OFF in 60 seconds.

2.5 Sensor Life Warning

If a sensor is nearing its end of life, the instrument warns the user following a sensor calibration. While the sensor is still fully functional at this point, the warning gives the user time to plan for a replacement sensor and minimize downtime. The ♥ is continuously displayed . See calibration section 3.9 for more details.

2.6 Sensor Life Indicator

If the instrument cannot calibrate one or more sensors, the instrument displays "Span" "Err" followed by the ▲ and ♥ to indicate end of sensor life. See calibration section 3.9 for more details.

2.7 Monitoring Toxic Gases

The instrument can monitor the concentration of the following toxic gases in ambient air:

- Carbon Monoxide (CO)
- Hydrogen Sulfide (H₂S).

The instrument displays the gas concentration in parts per million (PPM) or mg/m³ on the Measuring page until another page is selected or the instrument is turned OFF.

▲ WARNING

If an alarm activates while using the instrument, leave the area immediately.

Remaining in the area under such circumstances can cause serious personal injury or death.

The instrument has four gas alarms for each toxic gas:

- HIGH Alarm
- LOW Alarm
- STEL Alarm
- TWA Alarm.

If the gas concentration reaches or exceeds the alarm setpoint, the instrument:

- backlight turns ON
- a vibrating alarm triggers
- displays and flashes the Alarm icon ▲ and either the Minimum icon ▼ (LOW alarm) or the Maximum icon ▲▲ (HIGH alarm)
- enters an alarm state.

2.8 Monitoring Oxygen Concentration

The instrument monitors oxygen concentration in ambient air. The alarm setpoints can be set to activate on two different conditions:

- Enriched - oxygen concentration > 20.8 % or
- Deficient - oxygen concentration < 19.5 %.

While the instrument can detect up to 30% oxygen in the ambient air, it is approved for use only up to 21% oxygen-content.

▲ WARNING

If an alarm activates while using the instrument, leave the area immediately.

Remaining in the area under such circumstances can cause serious personal injury or death.

When the alarm setpoint is reached for either of the above conditions:

- an alarm sounds
- alarm LEDs flash

- a vibrating alarm triggers
- instrument displays and flashes the Alarm icon ▲ and either the Minimum icon ▼ (Enriched alarm) or the Maximum icon ▲▲ (Deficient alarm) along with the corresponding oxygen concentration.

The LOW alarm (oxygen deficient) is latching and will not automatically reset when the O₂ concentration rises above the LOW setpoint. To reset the alarm, press the ▲ button. If the alarm condition still exists, the ▲ button only silences the alarm for five seconds.

False oxygen alarms can occur due to changes in barometric pressure (altitude) or extreme changes in ambient temperature.

It is recommended that an oxygen calibration be performed at the temperature and pressure of use. Be sure that the instrument is in known fresh air before performing a calibration.

2.9 Monitoring Combustible Gases

The instrument displays the combustible gas concentration in %LEL or %CH₄ on the Measuring page until another page is selected or the instrument is turned OFF.

▲ WARNING

If an alarm activates while using the instrument, leave the area immediately.

Remaining in the area under such circumstances can cause serious personal injury or death.

The instrument has two alarm setpoints:

- HIGH Alarm
- LOW Alarm.

If the gas concentration reaches or exceeds the alarm setpoint, the instrument:

- backlight turns ON
- a vibrating alarm triggers
- displays and flashes the alarm icon ▲ and either the minimum icon ▼ (LOW alarm) or the maximum icon ▲▲ (HIGH alarm)
- enters an alarm state.

When gas reading reaches 100% LEL or 5.00% CH₄, the instrument enters a Lock Alarm state, the combustible sensor shuts down and displays "xxx" in place of the actual reading. This state can only be reset by turning the instrument OFF and ON in a fresh air environment.

⚠ WARNING

A combustible gas reading of "100" or "5.00" indicates the atmosphere is above 100% LEL or 5.00% vol CH₄, respectively, and an explosion hazard exists. Move away from contaminated area immediately.

In such cases, the instrument LockAlarm feature activates.

3. Operation

Instrument operation is dialog driven from the display with the aid of the three Function buttons (see Section 2).

3.1. Environmental Factors

A number of environmental factors may affect the gas sensor readings, including changes in pressure, humidity and temperature. Pressure and humidity changes affect the amount of oxygen actually present in the atmosphere.

Pressure Changes

If pressure changes rapidly (e.g., stepping through airlock) the oxygen sensor reading may temporarily shift, and possibly cause the detector to go into alarm. While the percentage of oxygen may remain at or near 20.8 vol%, the total amount of oxygen present in the atmosphere available for respiration may become a hazard if the overall pressure is reduced by a significant degree.

Humidity Changes

If humidity changes by any significant degree (e.g., going from a dry, air conditioned environment to outdoor, moisture laden air), oxygen readings can be reduced by up to 0.5 %, due to water vapor in the air displacing oxygen.

The oxygen sensor has a special filter to reduce the effects of humidity changes on oxygen readings. This effect will not be noticed immediately, but slowly impacts oxygen readings over several hours.

Temperature Changes

The sensors have built-in temperature compensation. However, if temperature shifts dramatically, the sensor reading may shift. Zero the instrument at the work site temperature for the least effect.

3.2. Turning ON and Fresh Air Setup

Instrument operation is dialog driven from the display with the aid of the three Function buttons (see Section 2.2.1). For more information, see the flow charts in Section 7.





Turn the instrument ON with the  button.

The instrument performs a self test and then goes to Fresh Air Setup:

- all display segments are activated
- audible alarm sounds
- alarm LEDs light
- vibrating alarm is activated.

During the self test, the instrument checks for missing sensors. In the case of a missing sensor, the instrument displays the Sensor Missing screen and alarms until it is turned OFF. Otherwise, the turn-ON sequence continues.

The instrument displays:

- Alarm and display self test
- Manufacturer name
- Instrument name
- Software version
- Sensor discovery
- Combustible gas type
- Toxic gas units
- Alarm setpoints ( , ) ( , )
- Calibration values
- Date and time display
- Last cal date (if activated)
- CAL due date (if activated)
- Fresh Air Setup option.

Refer to flowchart in Appendix, Section 7.1.

3.2.1 Screen Displays during Startup

During the power-up sequence, all automatic page display timeouts are preset to a range from two to four seconds. Several sequences and screens occur during start up:

Instrument Self Test

The instrument performs a self test.



Instrument Name and Software version

Software version and instrument name display.



Combustible Gas Type

Name of Combustible Gas Type displays, e.g. BUTANE. Combustible gas type can be changed manually through the SENSOR SETUP menu or the MSA Link software.



Toxic Gas Units

Name of Toxic Gas Units displays (ppm or mg/m³). Toxic units can only be modified through the MSA Link software.



Alarm Setpoints

Alarm setpoints for all installed and activated sensors display. LOW alarm setpoints display, followed by HIGH alarm setpoints. Alarm setpoints can be changed manually through the Setup menu or the MSA Link software.



STEL and TWA Setpoints

The preset STEL and TWA values for installed and activated sensors display.



Calibration Values

The preset STEL and TWA values for installed and activated sensors display.



Time and Date

The date displays in a month, day and year format.

In the event that the battery is fully discharged, the time and date reset. At startup, the user is prompted to enter the time and date.

If the time and date information is missing, they are reset to [Jan-01-2008] with time stamp [00:00].



Last CAL Date and CAL Due

These display options can be set by MSA Link software. If these options are not set, these screens are not displayed.

- By default Last Cal is activated.
- By default Cal Due is deactivated



Fresh Air Setup (FAS)

The FAS screen is prompted (see Section 3.2.2)



3.2.2 Fresh Air Setup (FAS)

The Fresh Air Setup (FAS) is for automatic ZERO calibration of the instrument.

The FAS has limits. The zero of any sensor that is outside of these limits will not be adjusted by the FAS command.

If a battery charging cycle is interrupted before it is completed (4 hours for a fully discharged battery), allow the instrument's internal temperature to stabilize for 30 minutes before performing a Fresh Air Setup.

⚠ WARNING

Do not activate the Fresh Air Setup unless you are certain you are in fresh, uncontaminated air; otherwise, inaccurate readings can occur which can falsely indicate that a hazardous atmosphere is safe. If you have any doubts as to the quality of the surrounding air, do not use the Fresh Air Setup feature. Do not use the Fresh Air Setup as a substitute for daily calibration checks. The calibration check is required to verify span accuracy. Failure to follow this warning can result in serious personal injury or death.



Figure 3-1. Fresh Air Setup

If this option is enabled, the instrument displays "FAS?", prompting the user to perform a Fresh Air Setup.

1. Press the ▲ button to bypass the Fresh Air Setup.
 - The Fresh Air Setup is skipped
 - The instrument goes to the Measuring page (Main page).
2. Press the Ⓞ button within 10 seconds to perform the Fresh Air Setup.
 - The instrument starts the FAS.
 - The screen shows a No Gas Symbol, a blinking hourglass, and all enabled gas sensor readings.
 - At the end of the FAS Calibration, the instrument displays "FAS OK" or "FAS ERR". along with the flags of the sensors that were outside of the FAS limits. All sensors that are within the FAS limits will be zeroed.

3.3. Measurement Mode (Normal Operation)

In Normal Operation mode, the user can check the Minimum and Peak readings prior to clearing the STEL and TWA values or performing a Span and Zero Calibration.

The following options pages can be executed from the Normal Operation screen:

Bump Page

This page allows the user to perform a bump check.



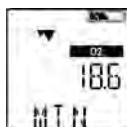
Peak Page

This page shows the peak readings for all sensors.



Min Page

This page shows the minimum reading for the oxygen sensor.



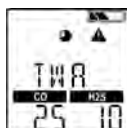
STEL Page

This page shows the calculated STEL readings of the instrument



TWA Page

This page shows the calculated TWA readings of the instrument.



Time / Date Page

This page shows actual time and date settings of the instrument.



Motion Alert

This page allows the Motion Alert feature to be activated or deactivated.



Using the three instrument buttons, the user can navigate through each sub-menu in a top/down sequence.

Refer to section 2.3 and 7.3 in the appendix for detailed instructions on navigating through these screens.

3.4 Instrument Setup

This section describes the configuration options that are available through the Options Setup menus. These menus can be accessed only when the instrument is turned ON while pressing and holding the ▲ button (see Sections 3.2 and 7.3).

This mode can only be activated at instrument turn-ON.

The operation is as follows:

1. Press and hold the ▲ button while turning the instrument ON.
 - Use the ▲ and ▼ buttons to enter the setup password. The default password is "672".
2. Press ◊ button to enter the setup menus.
 - Incorrect password: instrument enters the Measure mode.
 - Correct password: instrument continues/beeps three times.

The password can be changed through the MSA Link software.

In the Setup mode:

- Press the ◊ button to store chosen value or go to the next page.
- Press ▲ button to increase values by one or toggle a selection ON or OFF.
- Press and hold ▲ button to increase values by 10.

- Press ▼ button to decrease values by one or toggle a selection ON or OFF.

Press and hold ▼ button to decrease values by 10.

The following options are available by pressing the ▼ and ▲ buttons:

- Sensor Setup (SENSOR SETUP) - see Section 3.4.1
- Calibration Setup (CAL SETUP) - see Section 3.4.2
- Alarm Setup (ALARM SETUP) - see Section 3.4.3
- Setup Time and Date (TIME SET) - see Section 3.4.4
- EXIT.

3.4.1 Sensor Setup

Each sensor can be turned ON or OFF.

For more information, see the flow charts in Section 7.6.



Figure 3-2. Sensor Setup

1. To bypass this setup, press the ▲ or ▼ button; otherwise, continue as follows.
2. Press the Ⓟ button to enter the submenu.
3. Use the ▲ or ▼ button to change the option and confirm with the Ⓟ button.
4. Repeat this procedure for all other sensors.
5. After setting the last sensor, continue to Calibration Setup.

3.4.2 Calibration Setup

The user can change and set the calibration values for each sensor. It is also possible to select whether the Cal Due screen is displayed and set the number of days until the next calibration is due. For more information, see the flow charts in Section 7.7.



Figure 3-3. Calibration Setup

1. To bypass this setup, press the ▲ or ▼ button; otherwise, continue as follows.
2. Press the Ⓞ button to enter the submenu.
 - The calibration gas concentration of the first sensor is shown.
3. Press the ▲ or ▼ button to change the value.
4. Press the Ⓞ button to store the value.
 - Setup screen for the next sensor is displayed.
5. Repeat the procedure for all other sensors.
 - After setting the last sensor, the user is prompted to set CALDUE.
6. Press the ▲ or ▼ button to enable or disable CALDUE. Press the Ⓞ button to confirm the selection.
7. If CALDUE is set ON, press the ▲ or ▼ button to select the number of days
8. Confirm with the Ⓞ button.
9. After confirmation, continue to Alarm setup.

3.4.3 Alarm Setup

The user can switch all alarms ON or OFF and change the alarm setpoints for each sensor. For more information, see the Section 7.8 flow charts. See section 5.2 for alarm adjustment limits. The value of the High Alarm can only be set to a value higher than the Low Alarm setpoint.



Figure 3-4. Alarm Setup

1. To bypass this setup, press the ▼ or ▲; otherwise, continue as follows.
2. Press the Ⓟ button to enter the submenu.
3. Set alarms ON or OFF by pressing the ▲ or ▼ button. Confirm with the Ⓟ button.
 - LOW ALARM settings for the first sensor display
4. Press the ▲ or ▼ button to change the value.
5. Press the Ⓟ button to store the value.
 - HIGH ALARM settings for the first sensor display.
6. Press the ▲ or ▼ button to change the value.
7. Press the Ⓟ button to store the value.
 - STEL ALARM settings (for toxic sensors only) display.
8. Press the ▲ or ▼ button to change the value.
9. Press the Ⓟ button to store the value.
 - TWA ALARM settings (for toxic sensor only) for display.
10. Press the ▲ or ▼ button to change the value.
11. Press the Ⓟ button to store the value.
12. Repeat the procedure for all other sensors.
13. After setting the last sensor, continue to Time and Date setup.

60% LEL or 3.0% volume of methane is the maximum High Alarm setpoint that can be programmed by the user.

The combustible alarm can be turned OFF by the user in the instrument setup. When the combustible alarm is turned OFF, the only indicator to the user that the combustible alarm is turned OFF occurs during power up of the instrument at which a startup screen will indicate that the combustible alarm is turned OFF. When turned ON, the combustible high alarm is latching. The combustible alarm can be silenced

momentarily by pressing the ▲ button. However, if the gas concentration causing the alarm is still present, the unit will go back into alarm.

3.4.4 Setup Time and Date

This submenu is for setting date and time. For more information see the flow charts in Section 7.9.



Figure 3-5. Date and Time Setup

1. To bypass this setup, press the ▼ or ▲ button; otherwise, continue as follows.
2. Press the Ⓟ button to enter the submenu.
3. Set month by pressing the ▲ or ▼ button.
4. Press the Ⓟ button to confirm month.
5. Repeat this procedure for day, year, hours and minutes.
 - By default, time displays in a 12-hour format.
 - The EXIT screen displays next.
6. Confirming this screen with the Ⓟ button exits the instrument setup.
 - If the sensors have not warmed up yet, the countdown displays.
 - The instrument then goes to Measuring mode.

3.5 Data Logging

Connecting Instrument to PC

1. Switch ON the ALTAIR 4X and align the Datalink Communication port on the ALTAIR 4X to the IR interface of the PC.
2. Use the MSA Link software to communicate with the instrument. See MSA Link documentation for detailed instructions.

3.6 Function Tests on the Instrument

Alarm Test

Turn ON the instrument. Verify that:

- all LCD segments are activated momentarily
- alarm LEDs flash
- horn sounds briefly
- vibrating alarm triggers briefly.

3.7 Safe LED

The instrument is equipped with a green "SAFE LED". This green SAFE LED flashes every 15 seconds under the following conditions:

- the SAFE LED feature is enabled
- instrument is in Measurement mode (Normal Operation)
- combustible reading is 0% LEL or 0.00% CH₄
- Oxygen (O₂) reading is 20.8%
- Carbon Monoxide (CO) reading is 0 ppm or 0 mg/m³
- Hydrogen Sulfide (H₂S) reading is 0 ppm or 0 mg/m³
- no gas alarms are present (low or high)
- instrument is not in Low Battery warning or alarm
- CO, H₂S, STEL and TWA readings are 0 ppm or 0 mg/m³.

3.8 Bump Test

⚠ WARNING

Perform a Bump Test before each day's use to verify proper instrument operation. Failure to perform this test can result in serious personal injury or death.

This test quickly confirms that the gas sensors are functioning. Perform a full calibration periodically to ensure accuracy and immediately if the instrument fails the Bump Test. The Bump Test can be performed using the procedure below or automatically using the Galaxy Test Stand.

CSA requires (per 22.2 NO. 152) that the instrument's sensitivity be tested before each day's use on a known concentration of methane equivalent to 25 to 50% of full scale concentration. ACCURACY MUST BE WITHIN 0 to +20% OF ACTUAL. Correct accuracy by performing the calibration procedure within this manual.

3.8.1 Equipment.

See accessory section for ordering information for these components.

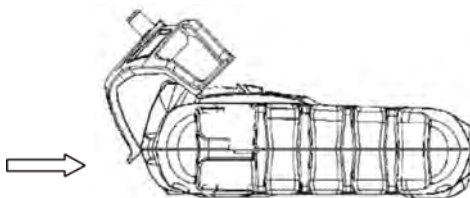
- Calibration Check Gas Cylinder
- 0.25 liters/min. Flow Regulator
- 1/8" ID Superthane Ester Tubing
- ALTAIR 4X Calibration Cap.

3.8.2 Performing a Bump Test

1. From the normal measure screen, press the ▼ button to display "BUMP TEST?".
2. Verify the gas concentrations displayed match the Calibration Check Gas Cylinder. If they do not, adjust the values through the Calibration Setup menu as described in section 3.4.2.



3. Attach the calibration cap to the instrument.
 - Insert tab on calibration cap into slot on instrument.
 - Press calibration cap as shown until it seats onto instrument.



- Press both side tabs down onto instrument until they snap in.



- Ensure that the calibration cap is properly seated.
 - Connect one end of the tubing to the calibration cap.
 - Connect other end of tubing to the cylinder regulator (supplied in the calibration kit).
4. Press the ϕ button to start the bump test then open the valve on the regulator. The hourglass will flash and the sensors will respond to the gas.



After the Bump Test completes, the instrument momentarily displays “BUMP PASS” or “BUMP ERROR” along with the label of any sensor that failed before returning to Measure mode. If the instrument fails the Bump Test, perform a calibration as described in section 3.9.



- The \checkmark symbol will be displayed in the Measure mode for 24 hours after a successful Bump Test.

3.9 Calibration

The ALTAIR 4X can be calibrated manually using this procedure or automatically using the Galaxy Test Stand. Refer to 7.7 of the Appendix. Calibration must be performed using a flow regulator with a flow rate set to 0.25 liters per minute.

If a battery charging cycle is interrupted before it is completed (4 hours for a fully discharged battery), allow the instrument's internal temperature to stabilize for 30 minutes before performing a Calibration.

NOTE: The Galaxy Test Stand is not a CSA certified calibration method.

3.9.1 Fresh Air Setup and Zero Calibration

To skip the ZERO procedure and move directly to the calibration span procedure, push the ▲ button. If no button is pushed for 30 seconds, the instrument prompts user to perform a SPAN calibration before returning to the Normal Operation mode.

1. Press and hold the ▲ button in Normal Operation mode for three seconds.
2. If calibration lockout option is selected, enter password.

- ZERO screen displays.

If calibration lockout option is NOT selected:

- ZERO screen displays.



3. With the instrument exposed to fresh air, press the \odot button to confirm the ZERO screen. A sensor Refresh and Zero Calibration now occur.

NOTE: Alternatively, press the \blacktriangledown button to execute a Fresh Air setup (FAS). See section 3.2.2 for more details.

- After ZERO calibration completes, the instrument momentarily displays “ZERO PASS” or “ZERO ERR” along with the flag of any sensor that failed.



NOTE: During instrument zero calibration, the oxygen sensor is also span calibrated to 20.8% oxygen fresh air, adjusting the calibration curve as needed. During instrument span calibration, the O₂ sensor's accuracy is checked against a known oxygen gas concentration without adjusting the calibration curve.

3.9.2 Span Calibration

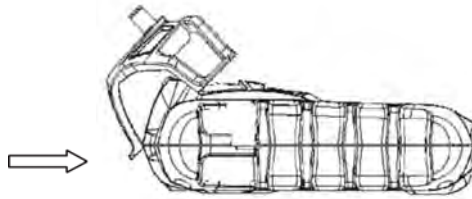
To skip the Span procedure, push the \blacktriangle button.

If no button is pushed for 30 seconds, the instrument returns to the Measuring mode.

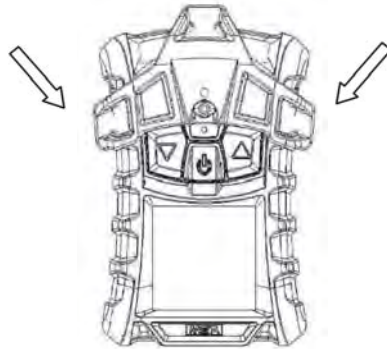
1. Once the zero is set, the span screen displays.
2. Connect the appropriate calibration gas to the instrument.



3. Attach the calibration cap to the instrument.
 - Insert tab on calibration cap into slot on instrument.
 - Press calibration cap as shown until it seats onto instrument.



- Press both side tabs down onto instrument until they snap in.



- Ensure that the calibration cap is properly seated.
 - Connect one end of the tubing to the calibration cap.
 - Connect other end of tubing to the cylinder regulator (supplied in the calibration kit).
- 4. Open the valve on the regulator.
- 5. Press the ϕ button to calibrate (span) the instrument.
 - LEDs flash
 - SPAN calibration starts.



After the SPAN calibration completes, the instrument momentarily displays "SPAN PASS" successfully.

If a sensor is nearing its end of life, this "SPAN PASS" indication is followed by the end of sensor life warning (♥). The ♥ icon, and gas type of the sensor nearing end of life, blink for 15 seconds when the instrument returns to Measure mode. When in Measure mode, the heart icon is continuously displayed.



If the span calibration is unsuccessful:

- a Sensor Life Indicator displays (▲ and ♥) to show the sensor has reached its end of life and should be replaced
- The unit remains in alarm state until the ▲ button is pressed
- The ▲ and ♥ symbols remain on the display until a successful calibration or the sensor in question is replaced.

NOTE: A span calibration can fail for many reasons other than a sensor at the end of its life. If a span calibration failure occurs, verify items such as remaining gas in the calibration cylinder, gas expiration date, security of the calibration cap, etc. and repeat calibration prior to replacing the sensor.

3.9.3 Finishing Calibration

1. Close the valve on the regulator.
2. Remove the calibration cap.

The calibration procedure adjusts the span value for any sensor that passes the calibration test; sensors that fail calibration are left unchanged. Since residual gas may be present, the instrument may briefly go into an exposure alarm after the calibration sequence is completed.

4. Maintenance






If an error occurs during operation, use the displayed error codes to determine appropriate next steps.

⚠ WARNING

Repair or alteration of the ALTAIR 4X Multigas Detector, beyond the procedures described in this manual or by anyone other than a person authorized by MSA, could cause the instrument to fail to perform properly. Use only genuine MSA replacement parts when performing any maintenance procedures described in this manual. Substitution of components can seriously impair instrument performance, alter intrinsic safety characteristics or void agency approvals.

FAILURE TO FOLLOW THIS WARNING CAN RESULT IN SERIOUS PERSONAL INJURY OR DEATH.

4.1 Troubleshooting

PROBLEM	DESCRIPTION	REACTION
ERROR TEMP	Temperature is below -40°F (-40°C) or above 167°F (75°C)	Return to normal temperature range and recalibrate. Contact MSA
ERROR EE	EEPROM Memory error	Contact MSA
ERROR PRG	Flash Memory error	Contact MSA
ERROR RAM	RAM Memory error	Contact MSA
ERROR UNK	Unknown error	Contact MSA
 LOW BATTERY	Battery warning repeats every 15 seconds	Remove from service as soon as possible and recharge battery
 BATTERY ALARM	Battery is completely discharged	Instrument is no longer sensing gas. Remove from service and recharge battery
ERROR CHARGE	Charge error	Instrument must be between 10 and 35°C to charge. Contact MSA if problem persists
SENSOR ERROR	Missing Sensor	Verify sensor is properly installed and recalibrate. Contact MSA if problem persists
Instrument does not turn ON	Low battery	Charge instrument
	Sensor warning	Sensor is near its end of life
 & 	Sensor alarm	Sensor has reached end of life and cannot be calibrated. Replace sensor and recalibrate

4.2 Live Maintenance Procedure - Replacing and Adding a Sensor

⚠ CAUTION

Before handling the PC board, the user must be properly grounded; otherwise, static charges could damage the electronics. Such damage is not covered by the warranty. Grounding straps and kits are available from electronics suppliers.

⚠ WARNING

Remove and reinstall sensors carefully, ensuring that the components are not damaged; otherwise instrument intrinsic safety may be adversely affected, wrong readings could occur, and persons relying on this product for their safety could sustain serious personal injury or death.

To add a sensor to an instrument that is not already equipped with a full array of sensors, remove the sensor plug from in front of the formerly unused sensor housing.

⚠ CAUTION

While instrument case is open, do not touch any internal components with metallic/conductive objects or tools. Damage to the instrument can occur.

1. Verify that the instrument is turned OFF.
2. Remove the four case screws, and remove the case front while carefully noting the orientation of the sensor gasket.
3. Gently lift out and properly discard the sensor to be replaced.
 - Using fingers only, gently remove the toxic, combustible, or oxygen sensor by gently rocking it while pulling it straight from its socket.
4. Carefully align the new sensor contact pins with the sockets on the printed circuit board and pressing it firmly in place.

NOTE: Ensure tab on sensor aligns with groove at top of holder.

- Insert the toxic sensor by placing it in the left-hand position of the sensor holder.
- Insert the O₂ sensor by placing it in the right-hand position of the sensor holder.

- Insert the combustible sensor by placing it in the middle position of the sensor holder.
 - If any sensor is not to be installed, ensure that a sensor plug is installed properly in its place.
5. If replacing sensor filters at this time:
 - Carefully peel off old filters, taking care not to damage the inside of the case.
 - On new filters, peel off backing exposing adhesive. Note proper orientation of each filter and apply to inside of front case adhesive side against case.
 - Press filter into place taking care not to damage filter surface.
 6. Reinstall the sensor gasket in the case front.
 - Ensure sensor gasket is properly installed.
 7. Re-install the screws.
 8. Power ON the instrument. The instrument automatically senses that a new sensor is installed and displays the "SENSOR DSCVRY" screen. If the sensor replaced is the same as the previous sensor, the instrument starts up normally. Proceed to step 10 and calibrate the instrument.
 9. If the sensor installed is not the same as the previous configuration, the instrument automatically senses the difference when it is turned ON via "SENSOR CHANGE" on the display and prompts the user to accept or reject the change. "ACCEPT?" appears on the display. The left ▼ button accepts or the right ▲ button rejects the change. Go into the sensor setup and turn ON the appropriate sensor after being prompted for a password. Refer to sensor setup section 3.4.1 for more details.
 10. Calibrate the instrument after the sensors have stabilized.

Allow sensors to stabilize at least 30 minutes before calibration.

⚠ WARNING

Calibration is required after a sensor is installed; otherwise, the instrument will not perform as expected and persons relying on this product for their safety could sustain serious personal injury or death.

4.3 Cleaning the Instrument

Clean the exterior of the instrument regularly using only a damp cloth. Do not use cleaning agents as many contain silicones which damage the combustible sensor.

4.4 Storage

When not in use, store the instrument in a safe, dry place between 65°F and 86°F (18°C and 30°C). After storage, always recheck instrument calibration before use.

4.5 Shipment

Pack the instrument in its original shipping container with suitable padding. If the original container is unavailable, an equivalent container may be substituted.

5. Technical Specifications/Certifications

5.1 Technical Specifications

WEIGHT	7.9 oz. (instrument with battery and clip)			
DIMENSIONS (L x W x H)	4.4 x 3.00 x 1.37 inches – without fastening clip			
ALARMS	Four gas alarm LEDs, a charge status LED, an audible alarm, and a vibrating alarm			
VOLUME OF AUDIBLE ALARM	95 dB typical			
DISPLAY	LCD display			
BATTERY TYPE	Rechargeable Li polymer battery. Li polymer battery must not be charged in Ex area			
INSTRUMENT RUN TIME	24 hours at 77°F (25°C)			
CHARGING TIME	≤ 4 hours The maximum safe area charging voltage Um = 6.7 Volts D.C			
TEMP RANGE	14 to 104°F	(-10 to 40°C)	Normal operating range	
	-4 to 122°F	(-20 to 50°C)	Extended operating range	
	50 to 95°F	(10 to 35°C)	While charging battery	
	-40 to +140°F	(-40 to 60°C)	Intrinsic safety ambient temperature range (ATEX, IEC)	
	-40 to +129°F	(-40 to 54°C)	Intrinsic safety ambient temperature range (CSA, ETL)	
HUMIDITY RANGE	15 - 90% relative humidity, non-condensing; 5 - 95% RH intermittent			
ATMOSPHERIC PRESSURE RANGE	800 to 1200 mbar			
INGRESS PROTECTION	IP 67			
MEASURING METHODS	Combustible gas: Catalytic sensor O₂ and Toxic gas: Electrochemical sensor			
MEASURING RANGE	Combustible 0-100% LEL 0-5.00% CH ₄	O₂ 0-30% Vol.	CO 0-1999 ppm	H₂S 0-200 ppm

5.2 Factory-set Alarm Thresholds and Setpoints

Sensor	LOW alarm	HIGH alarm	STEL	TWA	Min alarm setpoint	Max alarm setpoint	Auto-cal values
LEL	10% LEL	20% LEL	--	--	5	60	58%
O ₂	19.5%	23.0%	--	--	5	29	15.0%
CO	25 ppm	100 ppm	100	25	15	1700	60 ppm
H ₂ S	10 ppm	15 ppm	15	10	5	175	20 ppm

This instrument is not approved for use in atmospheres containing >21 % oxygen.

5.3 Certifications

See instrument label for the approvals that apply to your specific unit.

USA and Canada (Non-mining)

See instrument label for approvals that apply to your specific unit

Europe Union

The product ALTAIR 4X complies with the following directives, standards or standardized documents:

Directive 94/9/EC (ATEX): II 1G Ex ia IIC T4, Ga IP67
(Zone 0 with no combustible sensor installed)

II 2G Ex d ia mb IIC T4 Gb, IP67
(Zone 1 with combustible sensor installed)

I M1 Ex ia I Ma (Zone 0)
Ta = -40 °C to +60 °C
EN60079-29-1 ATEX Flammable Gas Performance
Certification for Groups I and II
EN50104 ATEX Oxygen Performance Certification

CE 0080

Directive 2004/108/EEC (EMC): EN50270:2007 Type 2, EN61000-6-3:2007

Australia/New Zealand Test Safe Australia

Ex ia sa I IP67 (Zone 0)
Ex ia sa IIC T4 IP67 (Zone 0)
Ta = -40 °C to +60 °C

IECEX TestSafe Australia
Ex ia I IP67 (Zone 0)
Ex ia mb d IIC T4 IP67 (Zone 1) - When Combustible XCell Sensor is installed
Ex ia IIC T4 IP67 (Zone 0) - When Combustible XCell Sensor is not installed
Ta = -40 °C to +60 °C

Performance Specification

5.4.1 Combustible Gas

Range	0 to 100% LEL or 0 to 5% CH ₄
Resolution	1% LEL or 0.05% vol CH ₄
Reproducibility	3% LEL, 0% to 50% LEL reading or 0.15 % CH ₄ , 0.00% to 2.50 % CH ₄ (normal temperature range)
	5% LEL, 50% to 100% LEL reading or 0.25 % CH ₄ , 2.50% to 5.00 % CH ₄ (normal temperature range)
	5% LEL, 0% to 50% LEL reading or 0.25 % CH ₄ , 0.00% to 2.50 % CH ₄ (extended temperature range)
	8% LEL, 50% to 100% LEL reading or 0.40 % CH ₄ , 2.50 % to 5.00 % CH ₄ (extended temperature range)
Response Time (Typical)	90% of final reading <15 seconds (pentane) <10 seconds (methane) (normal temperature range)

5.4.2 Oxygen

The oxygen sensor has built-in temperature compensation. However, if temperature shifts dramatically, the oxygen sensor reading may shift. Zero the instrument at the work place temperature for the least effect.

Range	0 to 30 vol.% O ₂
Resolution	0.1 vol.% O ₂
Reproducibility	0.7 vol.% O ₂ for 0 to 30 vol.% O ₂
Response time (Typical)	90% of final reading <10 seconds (normal temperature range)
Oxygen Sensor Cross-Sensitivity	The oxygen sensor has no common cross-sensitivities

5.4.3 Carbon Monoxide

Range	0 - 1999 ppm CO
Resolution	1 ppm CO for 6 - 1999 ppm H ₂ S
Reproducibility	± 5 ppm CO or 10 % of reading, whichever is greater (normal temperature range)
	±10 ppm CO or 20 % of reading, whichever is greater (extended temperature range)
Response Time (Typical)	90% of final reading <15 seconds (normal temperature range)

TEST GAS APPLIED	CONCENTRATION (PPM) APPLIED	CO CHANNEL % CROSS-SENSITIVITY
Hydrogen Sulfide (H ₂ S)	40	0
Carbon Monoxide (CO)	100	100
Nitric Oxide (NO)	50	84
Nitrogen Dioxide (NO ₂)	11	0
Sulfur Dioxide (SO ₂)	9	-4
Chlorine (Cl ₂)	10	0
Hydrogen Cyanide (HCN)	30	-5
Ammonia (NH ₃)	25	0
Toluene	53	0
isopropanol	100	-8
Hydrogen (H ₂)	100	48

5.4.4 Hydrogen Sulfide

Range	0 - 200 ppm H ₂ S
Resolution	1 ppm H ₂ S for 3 - 200 ppm H ₂ S
Reproducibility	±2 ppm H ₂ S or 10 % of reading, whichever is greater (normal temperature range)
	±5 ppm H ₂ S or 10 % of reading, whichever is greater (extended temperature range)
Response Time (Typical)	90% of final reading <15 seconds (normal temperature range)

TEST GAS APPLIED	CONCENTRATION (PPM) APPLIED	CO CHANNEL % CROSS-SENSITIVITY
Hydrogen Sulfide (H ₂ S)	40	100
Carbon Monoxide (CO)	100	1
Nitric Oxide (NO)	50	25
Nitrogen Dioxide (NO ₂)	11	-1
Sulfur Dioxide (SO ₂)	9	14
Chlorine (Cl ₂)	10	-14
Hydrogen Cyanide (HCN)	30	-3
Ammonia (NH ₃)	25	-1
Toluene	53	0
isopropanol	100	-3
Hydrogen (H ₂)	100	0

5.5 XCell Sensor Patents

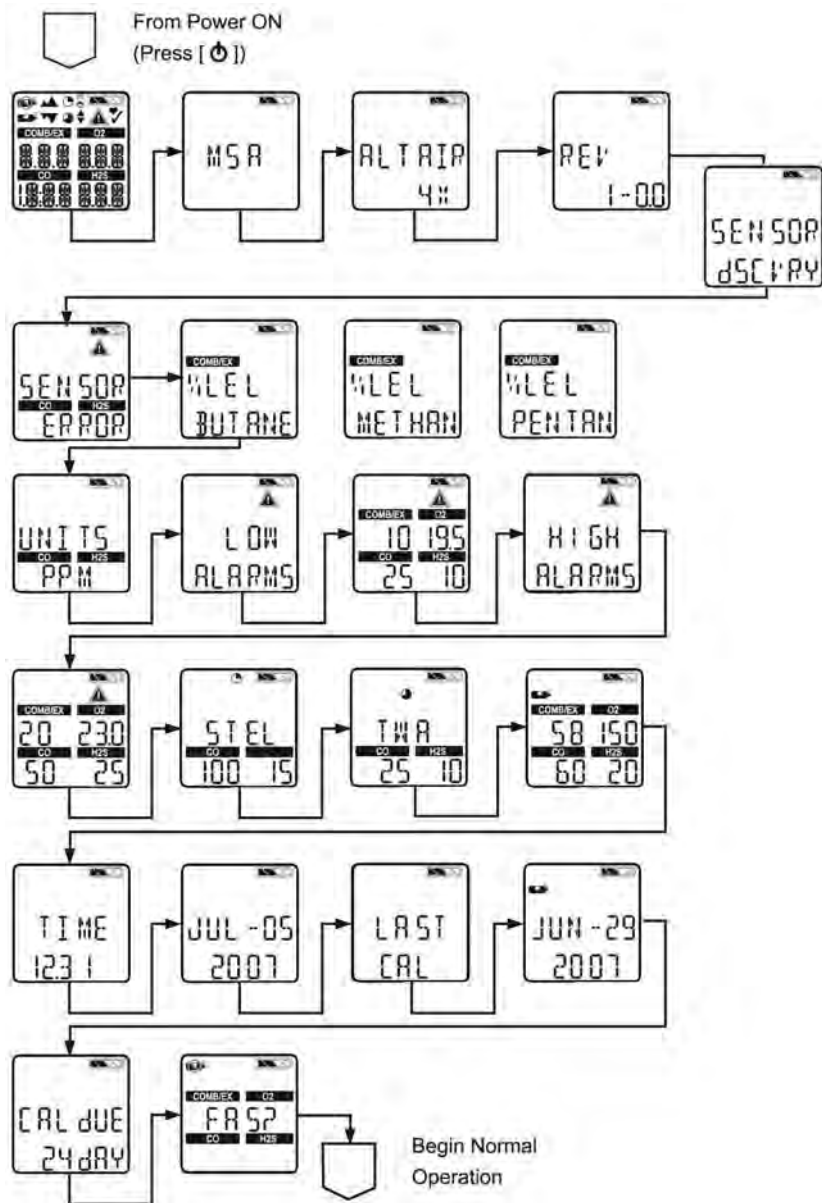
- | | |
|---|----------------|
| 1. Combustible (P/N 10106722): | Patent Pending |
| 2. Oxygen (P/N 10106729): | Patent Pending |
| 3. Carbon Monoxide/Hydrogen Sulfide (P/N 10106725): | Patent Pending |

6. Order Information

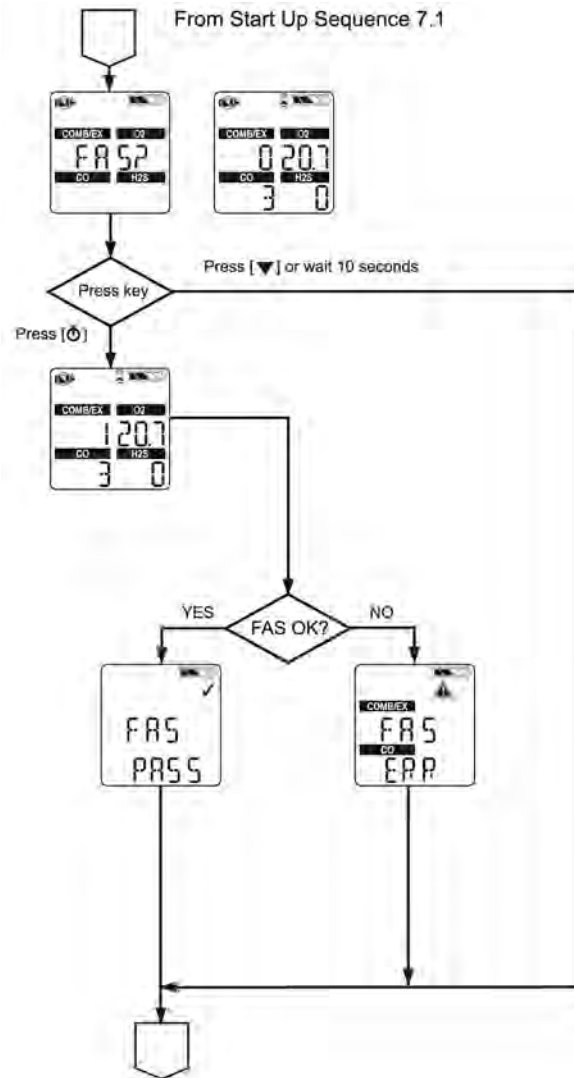
DESCRIPTION	PART NO.
SS Suspender Clip	10069894
34L Quad Gas Mix (1.45% CH ₄ , 15% O ₂ , 60 ppm CO, 20 ppm H ₂ S)	10048280
58L Quad Gas Mix (1.45% CH ₄ , 15% O ₂ , 60 ppm CO, 20 ppm H ₂ S)	10045035
Universal Pump Probe (UL)	10046528
Universal Pump Probe (CSA)	10055576
Universal Pump Probe (AUS)	10047594
Universal Pump Probe (ATEX)	10047596
Calibration Assembly (cap, tube, connector)	10089321
North American Power Supply with Charge Connector	10092233
Global Power Supply with Charge Connector	10092936
Charging Cradle Assembly with Power Supply (North America)	10087368
Charging Cradle Assembly with Power Supply (Australia)	10089487
Charging Cradle Assembly with Power Supply (Europe)	10086638
Vehicle Charging Cradle Assembly	10095774
MSA Link Software CD- Rom	10088099
JetEye IR Adapter with USB Connector	10082834
Combustible Sensor Replacement Kit	10106722
O ₂ Sensor Replacement Kit	10106729
CO/H ₂ S Two Toxic Sensor Replacement Kit	10106725
Front Housing with Integrated Dust Filters (charcoal)	10110030
Front Housing with Integrated Dust Filters (Phosphorescent)	10110029
Main Board w/ Battery Pack	10106621
LCD Frame Assembly (frame, LCD, zebra strips, screws)	10110061
Sensors Gasket, Screws (4x), self tapping (2x)	10110062
CD Manual ALTAIR 4X	10106623

7. Appendix – Flow Charts

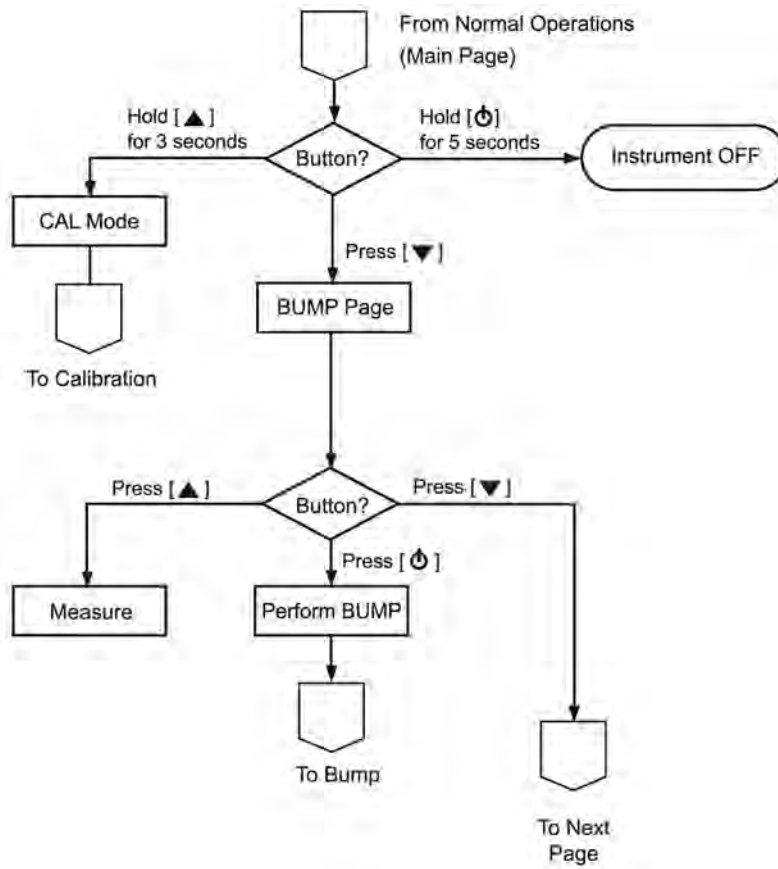
7.1. Start Up Sequence (Power ON)

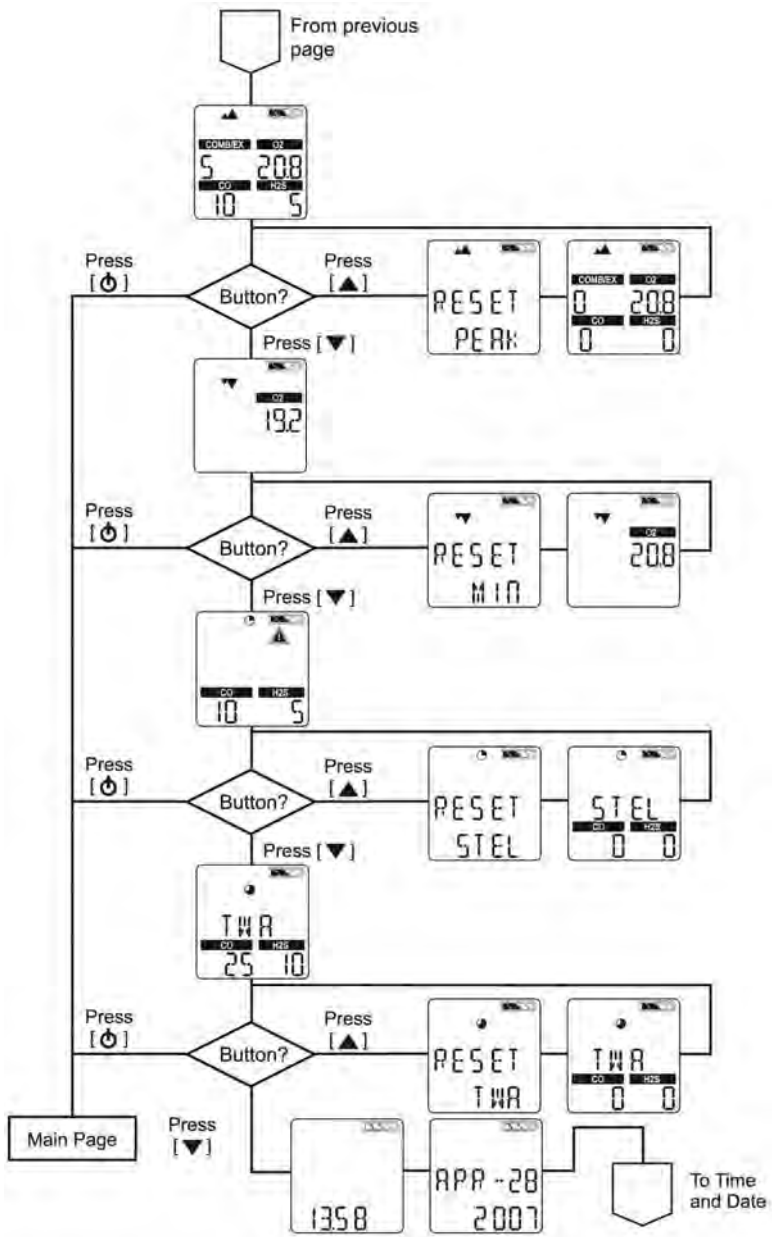


7.2 Fresh Air Setup

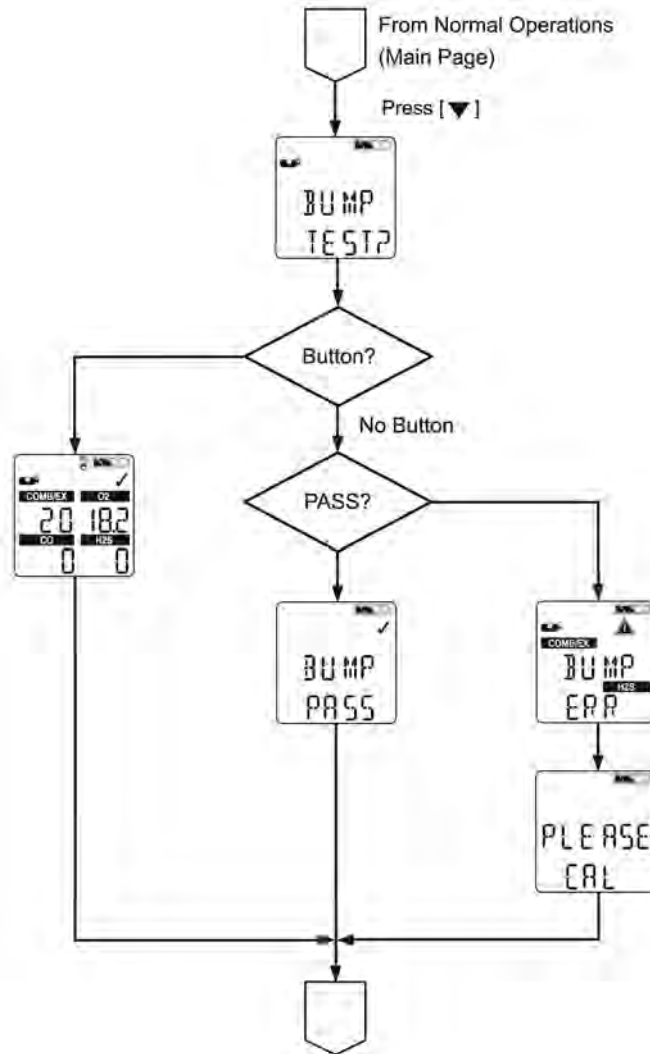


7.3 Reset Screen Controls

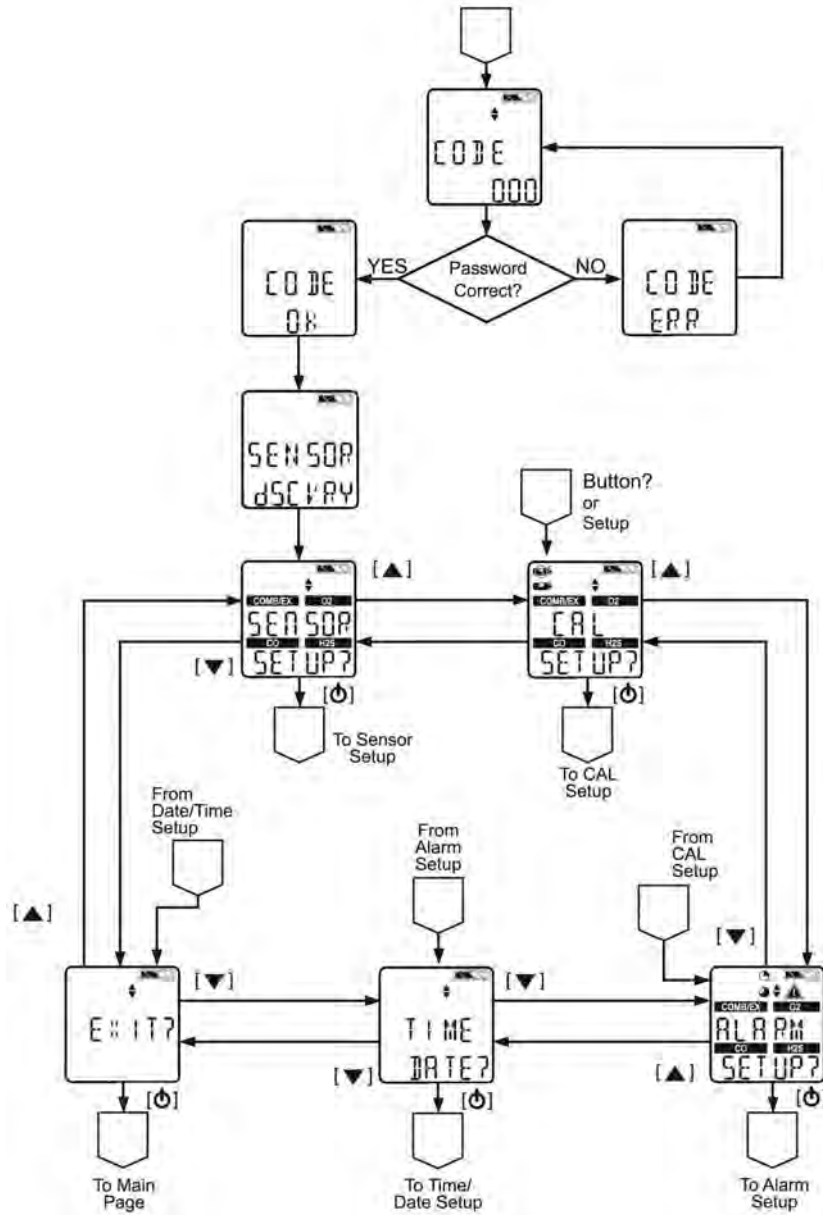




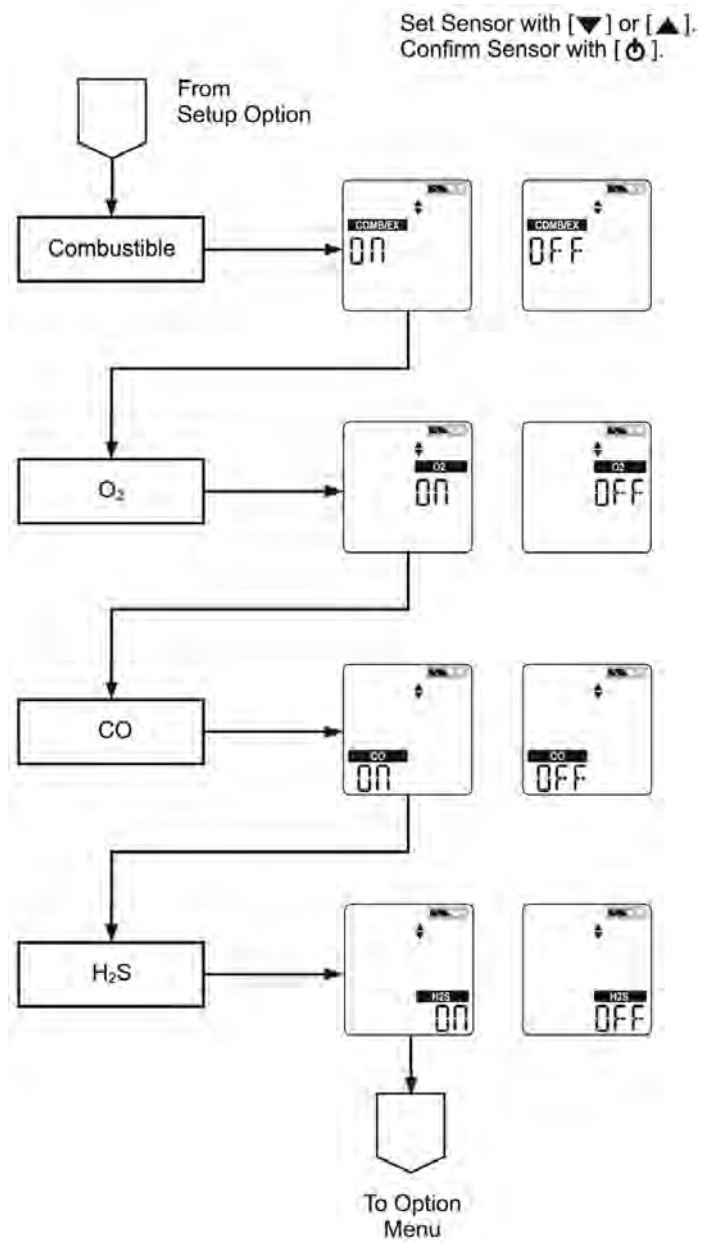
7.4 Bump Test



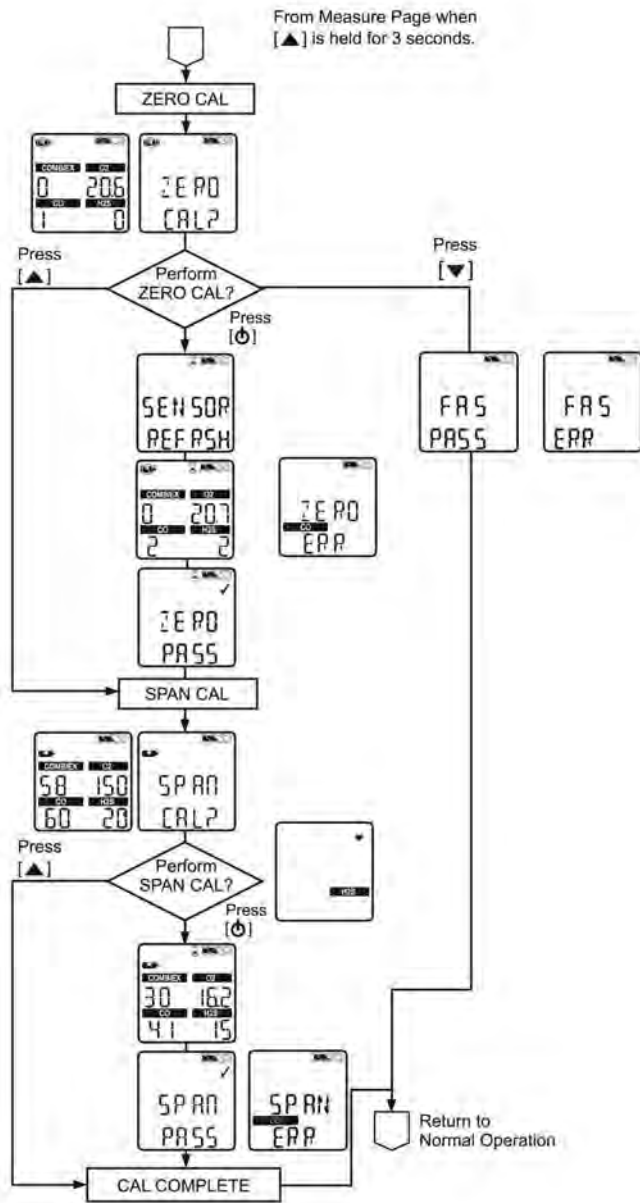
7.5 Options Setup



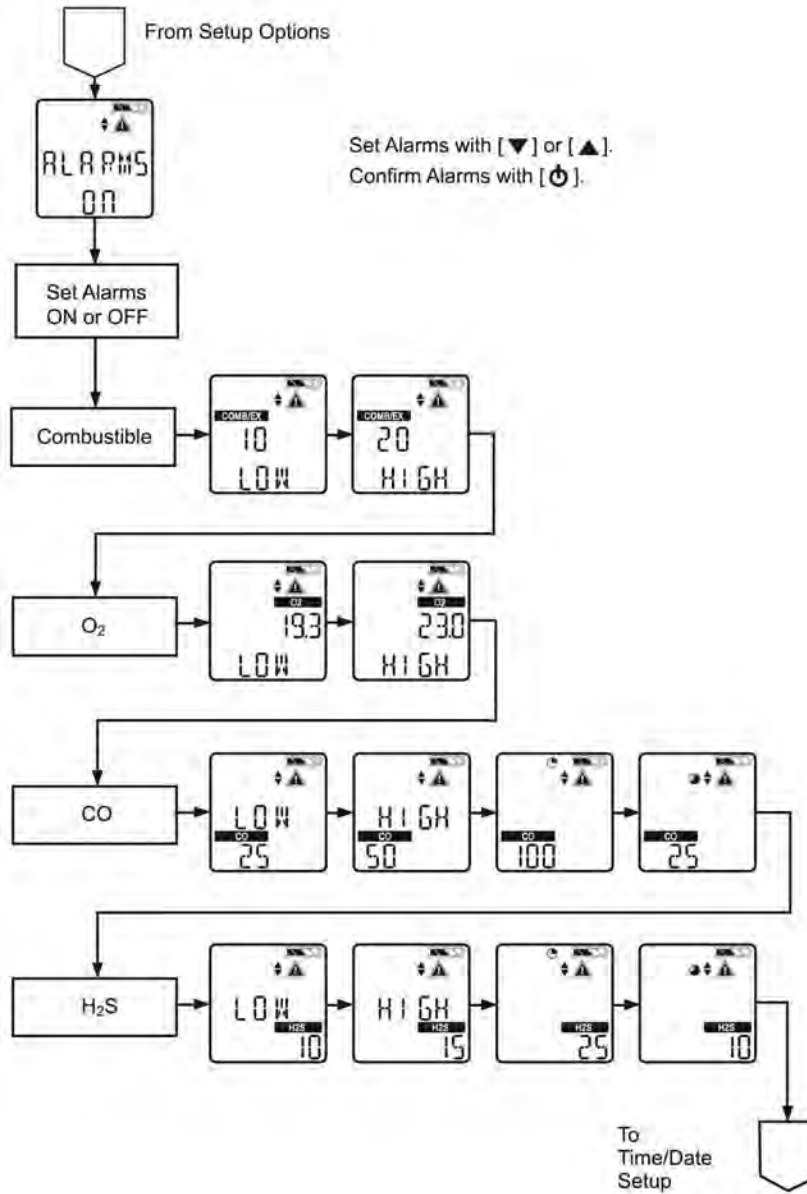
7.6 Sensor Setup



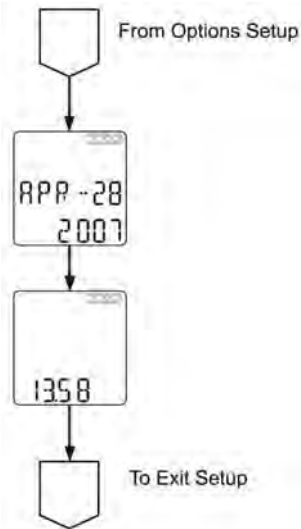
7.7 Calibrations



7.8 Alarm Setup



7.9 Time and Date Setup



Détecteur multigaz ALTAIR® 4X

Manuel d'utilisation



En Amérique du Nord, pour contacter notre dépôt le plus proche, composez le numéro gratuit 1-800-MSA-2222. Pour contacter MSA International, composez le 1-724-776-8626 ou le 1-800-MSA-7777.

© MINE SAFETY APPLIANCES COMPANY 2011 - Tous droits réservés

Ce manuel est disponible sur l'Internet au www.msanet.com

Fabriqué par

MSA NORTH AMERICA

1000 Cranberry Woods Drive, Cranberry Township, Pennsylvania 16066

AVERTISSEMENT

CE MANUEL DOIT ÊTRE LU ATTENTIVEMENT PAR TOUTES LES PERSONNES RESPONSABLES ACTUELLEMENT OU DANS LE FUTUR DE L'UTILISATION ET DE L'ENTRETIEN DE CE PRODUIT. Comme tout appareil complexe, ce détecteur ne fonctionne conformément à ses spécifications que s'il est utilisé et entretenu conformément aux instructions de son fabricant. DANS LE CAS CONTRAIRE, IL RISQUE DE MAL FONCTIONNER ET LES PERSONNES SE REPOSANT SUR CET APPAREIL POUR LEUR SÉCURITÉ RISQUENT UN ACCIDENT GRAVE OU MORTEL.

Les garanties accordées par Mines Safety Appliances Company sur ce produit sont annulées en cas d'utilisation et d'entretien non conforme aux instructions de ce mode d'emploi. Protégez-vous, ainsi qu'autrui, en les respectant. Nous encourageons nos clients à nous écrire ou à nous téléphoner avant d'utiliser cet appareil ou pour des renseignements supplémentaires sur son utilisation ou sa réparation..

1. Sécurité de l'appareil	1-1
1.1. Utilisation conforme	1-1
1.2. Mesures de sécurité et de précaution à adopter	1-3
Observer la procédure de maintenance appropriée de la batterie	1-4
Prendre connaissance des conditions ambiantes	1-4
Prendre connaissance des procédures de manipulation des composants électroniques sensibles aux décharges électrostatiques	1-5
Prendre connaissance des réglementations relatives au produit	1-5
Prendre connaissance des règlements relatifs à la garantie	1-5
1.3. Garantie	1-6
1.3.1 Garantie	1-6
1.3.2 Voie de recours exclusive	1-6
1.3.3 Exclusion des dommages consécutifs	1-7
2. Description	2-1
2.1. Aperçu de l'appareil	2-1
Figure 2-1. Aperçu de l'appareil	2-1
2.2 Interfaces matérielles	2-2
2.2.1 Descriptions des touches	2-2
2.2.2 Descriptions des DEL	2-3
2.2.3 Vibreur	2-3
2.2.4 Rétroéclairage	2-3
2.2.5 Avertisseur	2-3
2.2.6 Indicateurs à l'écran	2-4
Figure 2-2. Écran et symboles graphiques	2-4
2.2.7 Indicateur de charge de la batterie	2-5
Avertissement de la batterie	2-5
Arrêt de la batterie	2-6
Chargement de la batterie	2-6
Pour charger l'appareil	2-7
2.2.8 Bip de fonctionnement	2-7
2.3 Affichage des écrans des options	2-7
2.3.1 Mode Test de fonction (bump test)	2-7

2.3.2 Valeurs maximales affichées (page PEAK (MAX))	.2-8
2.3.3 Valeurs minimales affichées (page MIN)	.2-8
2.3.4 Limites d'exposition à court terme (page STEL (LECT))	.2-8
Exemples de calcul de LECT (STEL) :	.2-9
2.3.5 Moyenne pondérée dans le temps (page MPT (TWA))	.2-9
Pour réinitialiser la moyenne pondérée dans le temps	.2-10
Exemples de calcul de moyenne pondérée dans le temps :	.2-10
2.3.6 Affichage de l'heure	.2-10
2.3.7 Affichage de la date	.2-10
2.3.8 Page dernier Cal	.2-10
2.3.9 Page échéance Cal.	.2-11
2.3.10 Activation de l'option Motion Alert (alarme de déplacement)	.2-11
2.4 Alarme de capteur manquant	.2-11
2.5 Avertissement de durée de service de capteur	.2-11
2.6 Alarme de durée de service de capteur	.2-12
2.7 Surveillance des gaz toxiques	.2-12
2.8 Surveillance de la concentration d'oxygène	.2-13
2.9 Surveillance des gaz inflammables	.2-14

3. Fonctionnement3-1

3.1. Facteurs environnementaux	.3-1
Changements de pression	.3-1
Changements d'humidité	.3-1
Changements de température	.3-1
3.2. Mise en marche de l'appareil et réglage a l'air frais	.3-2
3.2.1 Affichages à l'écran lors du démarrage	.3-3
Autotest de l'appareil	.3-3
Nom de l'appareil et version du logiciel	.3-3
Type de gaz inflammable	.3-3
Unités gaz toxiques	.3-3
Valeurs de consigne alarme	.3-4
Valeurs de consigne LECT (STEL) et MPT (TWA)	.3-4
Valeurs de calibrage	.3-4
Heure et date	.3-4
Dernière date de CAL et date d'échéance du CAL	.3-5

Réglage à l'air frais (FAS)	3-5
3.2.2 Réglage à l'air frais (FAS)	3-5
3.3. Mode Mesure (fonctionnement normal)	3-6
Page Test de fonction (bump test)	3-6
Figure 3-1. Réglage à l'air frais (FAS)	3-6
Page Max	3-7
Page Min	3-7
Page LECT (STEL)	3-7
Page MPT (TWA)	3-7
Page Heure / Date	3-8
Alarme de déplacement (option)	3-8
3.4 Réglage de l'appareil	3-8
3.4.1 Réglage des capteurs	3-9
Figure 3-2. Réglage des capteurs	3-9
3.4.2 Réglage du calibrage	3-10
3.4.3 Réglage des alarmes	3-10
Figure 3-3. Réglage du calibrage	3-10
Figure 3-4. Réglage des alarmes	3-11
3.4.4 Réglage de l'heure et la date	3-12
Figure 3-5. Réglage de l'heure et la date	3-12
3.5 Consignation des données	3-13
Connexion de l'appareil à un PC	3-13
3.6 Tests de fonctionnement sur l'appareil	3-13
Test des alarmes	3-13
3.7 Voyant del de sécurité	3-13
3.8 Test de fonction (bump test)	3-14
3.8.1 Equipements	3-14
3.8.2 Réalisation d'un test de fonction (Bump test)	3-15
3.9 Calibrage	3-16
3.9.1 Calibrage zéro	3-16
3.9.2 Calibrage à gaz	3-18
3.9.3 Fin du calibrage	3-20
3.9.4 Échec de l'autocalibrage	3-21
4. Maintenance	4-1
4.1 Dépannage	4-2
4.2 Procédure de maintenance sous tension - remplacement et ajout d'un capteur	4-2

4.3 Nettoyage de l'appareil	4-4
4.4 Entreposage	4-5
4.5 Expédition	4-5

5. Caractéristiques techniques/Certificats . .5-1

5.1 Caractéristiques techniques	5-1
5.2 Niveaux d'alarme définis en usine	5-2
5.3 Certificats	5-2
Caractéristiques de performances	5-3
5.4.1 Gaz inflammable	5-3
5.4.2 Oxygène	5-3
5.4.3 Monoxyde de carbone	5-4
5.4.4 Hydrogène sulfuré	5-5
5.5 Brevets concernant le capteur XCell®	5-5

6. Informations pour les commandes6-1

7. Annexe – Organigrammes7-1

7.1 Séquence de démarrage (mise en marche)	7-1
7.2 Réglage à l'air frais	7-2
7.3 Commandes Reset	7-3
7.4 Test de fonction (bump test)	7-5
7.5 Réglage des options	7-6
7.6 Réglage des capteurs	7-7
7.7 Calibrages	7-8
7.8 Réglage des alarmes	7-9
7.9 Réglage de l'heure et la date	7-10

1. Sécurité de l'appareil

1.1. Utilisation conforme

Le détecteur multigaz ALTAIR 4X est destiné à être utilisé par du personnel formé et qualifié. Il est conçu pour être utilisé lors de la réalisation d'une évaluation de risques pour:

- Évaluer l'exposition potentielle des ouvriers aux gaz et vapeurs inflammables et toxiques ainsi qu'à un faible niveau d'oxygène.
- Déterminer la surveillance appropriée des gaz et vapeurs nécessaire sur un lieu de travail.

Le détecteur multigaz ALTAIR 4X peut être équipé pour détecter :

- Les gaz inflammables et certaines vapeurs inflammables
- Les atmosphères pauvres en oxygène ou riches en oxygène
- Les gaz toxiques spécifiques pour lesquels un capteur est installé.

REMARQUE : Bien que l'appareil puisse détecter jusqu'à 30 % d'oxygène dans l'air ambiant, il n'est homologué pour être utilisé que dans des atmosphères ne contenant pas plus de 21 % d'oxygène.

AVERTISSEMENT

Lire et observer attentivement toutes les instructions..

- **Réaliser un test de fonction (bump test) avant chaque utilisation quotidienne et l'ajuster si nécessaire.**
- **Réaliser un test de fonction plus fréquemment en cas d'exposition au silicone, aux silicates, aux composés à base de plomb, à l'hydrogène sulfuré ou à des niveaux élevés de contaminants.**
- **Contrôler de nouveau le calibrage si l'unité est soumise à un choc physique.**
- **Utiliser uniquement pour détecter les gaz/vapeurs pour lesquels un capteur est installé.**
- **Ne pas utiliser pour détecter des poussières ou brumes inflammables.**
- **Assurez-vous qu'il existe suffisamment d'oxygène présent pour obtenir des lectures de combustible précises (> 10 % O₂).**

- **Ne pas obstruer les capteurs.**
- **Confier l'interprétation des valeurs affichées sur l'appareil à une personne formée et qualifiée.**
- **Ne pas recharger la batterie aux ions polymères dans une atmosphère inflammable.**
- **Ne pas modifier l'appareil.**

TOUTE UTILISATION NON CONFORME PEUT OCCASIONNER DES BLESSURES GRAVES VOIRE MORTELLES.

REMARQUE : Cet équipement a été testé et a été déterminé conforme aux limites spécifiées par la Partie 15 de la réglementation de la FCC concernant les appareils numériques de classe A. Ces limites sont conçues pour fournir une protection raisonnable contre les interférences nuisibles lorsque l'équipement est utilisé dans un environnement commercial. Cet appareil produit, utilise et peut émettre de l'énergie en radiofréquence et, s'il n'est pas installé ou utilisé conformément au manuel d'instructions, il peut provoquer des interférences nuisibles aux communications radio. Il est probable que l'utilisation de cet équipement dans une zone résidentielle causera des interférences nuisibles, et dans ce cas l'utilisateur sera requis de corriger les interférences à ses frais.

⚠ AVERTISSEMENT

Ceci est un produit de classe A selon CISPR 22. Dans un environnement résidentiel, ce produit peut causer des interférences radio, et dans ce cas l'utilisateur pourrait être requis de prendre des mesures adéquates.

Cet appareillage numérique de classe A satisfait à la norme canadienne ICES-003.

Pour les utilisateurs en Australie / Nouvelle-Zélande :

⚠ AVERTISSEMENT

Ceci est un produit de classe A. Dans un environnement résidentiel, ce produit peut causer des interférences radio, et dans ce cas l'utilisateur peut être requis de prendre les mesures appropriées.

1.2. Mesures de sécurité et de précaution

▲ AVERTISSEMENT

Observer attentivement les limitations et précautions de sécurité avant de mettre cet appareil en service. Toute utilisation non conforme peut occasionner des blessures graves voire mortelles.

- Contrôler le fonctionnement (voir chapitre 3.6) tous les jours avant l'utilisation. MSA recommande d'effectuer une inspection de routine avant chaque utilisation quotidienne.
- Réaliser un test de fonction (voir chapitre 3.8) avant chaque utilisation quotidienne afin de vérifier le fonctionnement correct de l'appareil. L'appareil doit réussir le test de fonction. En cas d'échec, réaliser un calibrage (voir chapitre 3.9) avant d'utiliser l'appareil.
- Réaliser un test de fonction plus fréquemment si l'unité est soumise à des chocs physiques et à des niveaux élevés de contaminants. Réaliser également un test de fonction plus fréquemment si l'atmosphère testée contient les matières suivantes, qui peuvent désensibiliser le capteur de gaz inflammables et réduire les valeurs qu'il détecte :
 - Silicones organiques
 - Silicates
 - Composés à base de plomb
 - Expositions à l'hydrogène sulfuré de plus de 200 ppm (partie par million) ou expositions de plus de 50 ppm pour une minute.
- La concentration minimale d'un gaz inflammable dans l'air qui peut s'enflammer est définie comme la Limite inférieure d'explosivité (LIE (LEL)). Une valeur de gaz inflammable affichée de "XXX" indique que l'atmosphère est au-dessus de 100 % de la LIE (LEL) ou 5,00 % vol. CH₄, et qu'un danger d'explosion existe. S'éloigner immédiatement de la zone dangereuse.
- Ne pas utiliser le détecteur multigaz ALTAIR 4X pour tester les gaz inflammables ou toxiques dans les atmosphères suivantes car cela peut entraîner des affichages erronés :
 - Les atmosphères pauvres en oxygène ou riches en oxygène
 - Atmosphères réductrices
 - Cheminées de fourneaux

- Environnements inertes
- Atmosphères contenant des brouillards/poussières aérogènes inflammables.
- Ne pas utiliser le détecteur multigaz ALTAIR 4X pour tester la présence de gaz inflammables dans des atmosphères contenant des vapeurs issues de liquides avec une température d'éclair élevée (au-dessus de 38 °C, 100 °F), car cela peut entraîner des détections faussement basses.
- Ne pas obstruer les ouvertures des capteurs, car cela peut occasionner des détections imprécises. Ne pas appuyer sur la face des capteurs, car cela peut les endommager et occasionner des détections erronées. Ne pas utiliser de l'air comprimé pour nettoyer les trous des capteurs, car la pression risque d'endommager les capteurs.
- Laisser suffisamment de temps à l'unité pour afficher des valeurs précises. Les temps de réaction varient selon le type de capteur utilisé (voir chapitre 5.4, "Caractéristiques de performances").
- Toutes les valeurs et informations affichées par l'appareil doivent être interprétées par une personne formée et qualifiée pour l'interprétation des valeurs affichées par rapport à l'environnement spécifique, à la pratique industrielle et aux limitations d'expositions.

Risque d'explosion : Ne pas recharger l'appareil dans une zone dangereuse.

Observer la procédure de maintenance appropriée de la batterie

Utiliser exclusivement des chargeurs de batterie mis à disposition par la société MSA pour être utilisés avec cet appareil ; l'utilisation d'autres chargeurs risque d'endommager l'ensemble batterie et l'unité. Éliminer les batteries conformément aux réglementations locales en matière de santé et de sécurité. L'utilisation du système de test automatisé GALAXY™ est une autre méthode homologuée pour le chargement des appareils ALTAIR 4X.

Prendre connaissance des conditions ambiantes

Un certain nombre de facteurs environnementaux peuvent affecter les valeurs affichées par les capteurs d'oxygène, notamment les changements de pression, d'humidité et de température.

Les changements de pression et d'humidité affectent la quantité d'oxygène réellement présente dans l'atmosphère.

Prendre connaissance des procédures de manipulation des composants électroniques sensibles aux décharges électrostatiques

L'appareil contient des composants sensibles aux décharges électrostatiques. Ne pas ouvrir ni réparer l'unité sans utiliser une protection contre les décharges électrostatiques adaptée. La garantie ne couvre pas les dommages occasionnés par les décharges électrostatiques.

Prendre connaissance des réglementations relatives au produit

Observer toutes les réglementations nationales importantes applicables dans le pays d'utilisation.

Prendre connaissance des règlements relatifs à la garantie

Les garanties offertes par la société Mine Safety Appliances Company par rapport au produit sont nulles et non avenues si le produit n'est pas utilisé ni entretenu conformément aux instructions contenues dans le présent manuel. Veuillez vous protéger ainsi que les autres personnes en respectant ces instructions. Nous encourageons nos clients à nous écrire ou nous appeler concernant cet équipement avant de l'utiliser ou pour toutes informations supplémentaires relatives à son utilisation ou sa réparation.

1.3. Garantie

ARTICLE	DURÉE DE LA GARANTIE
Châssis et électronique	Trois ans
Tous les capteurs, sauf mention contraire	Trois ans

1.3.1 Garantie

Cette garantie ne couvre pas les filtres, les fusibles, etc. D'autres accessoires non listés spécifiquement peuvent avoir des périodes de garanties différentes. Cette garantie est valide uniquement si le produit est entretenu et utilisé conformément aux instructions et/ou recommandations du vendeur.

Le vendeur sera dégagé de toutes les obligations liées à cette garantie dans le cas où des réparations ou modifications sont réalisées par des personnes autres que le personnel de maintenance propre et autorisé ou bien si la demande en garantie résulte d'un abus physique ou d'une utilisation incorrecte du produit. Aucun agent, employé ou représentant du vendeur ne possède un quelconque pouvoir d'obliger le vendeur à une quelconque déclaration, représentation ou garantie concernant ce produit. Le vendeur ne garantit en aucune manière les composants ou accessoires non fabriqués par le vendeur, mais transmettra à l'acheteur toutes les garanties des fabricants de tels composants.

CETTE GARANTIE REMPLACE TOUTES LES AUTRES GARANTIES, EXPRESSES, IMPLICITES OU LEGALÉS, ET EST STRICTEMENT LIMITÉE AUX TERMES DE CELLE-CI. LE VENDEUR RENONCE À TOUTE GARANTIE DE QUALITÉ MARCHANDE OU D'APTITUDE À UN OBJECTIF PARTICULIER.

1.3.2 Voie de recours exclusive

Il est expressément convenu que la voie de recours unique et exclusive de l'acheteur pour violation de la garantie ci-dessus, pour toute conduite délictuelle du vendeur, ou pour toute autre cause d'action sera le remplacement, au gré du vendeur, de tout appareil ou pièce de celui-ci, reconnu comme défectueux après examen par le vendeur.

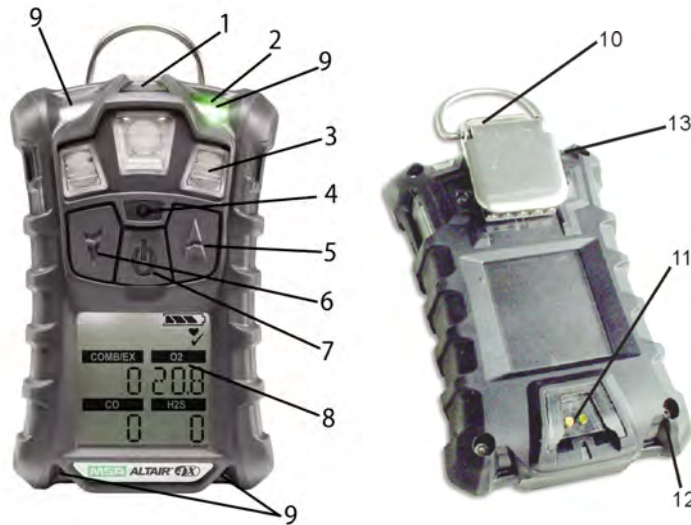
L'appareil et/ou les pièces de remplacement seront fournis sans frais à l'acheteur, franco à bord à l'usine du vendeur. Le manquement du vendeur à remplacer avec succès tout appareil ou pièce non conforme n'entraînera pas, pour la voie de recours établie par la présente, un défaut de réalisation de son objectif initial.

1.3.3 Exclusion des dommages consécutifs

L'acheteur comprend et reconnaît spécifiquement que dans aucune circonstance le vendeur ne sera responsable envers l'acheteur des dommages consécutifs économiques, spéciaux, fortuits ou des pertes de quelque nature que ce soit, incluant mais non limitées à la perte de profits anticipés et de toute autre perte causée par un non-fonctionnement des produits. Cette exclusion est applicable aux réclamations au titre de la violation de garantie, de la conduite délictuelle ou de toute autre cause d'action contre le vendeur.

2. Description

2.1. Aperçu de l'appareil



- | | | | |
|---|--|----|---------------------------------|
| 1 | Communication MSA link | 8 | Écran |
| 2 | DEL de sécurité (verte) and DEL d'erreur (jaune) | 9 | DEL d'alarme (4) |
| 3 | Entrées pour capteurs | 10 | Clip |
| 4 | Avertisseur | 11 | Connexion chargement |
| 5 | Touche ▲ | 12 | Vis (4) |
| 6 | Touche ▼ | 13 | DEL de chargement (rouge/verte) |
| 7 | Touche Ⓞ | | |

Figure 2-1. Aperçu de l'appareil

L'appareil surveille les gaz présents dans l'air ambiant et sur le lieu de travail.

Il est disponible avec un maximum de trois capteurs qui peuvent afficher les valeurs détectées pour quatre gaz séparés (un capteur de gaz toxiques double est capable de détecter à la fois les concentrations de CO H₂S en un seul capteur).

Bien que l'appareil puisse détecter jusqu'à 30 % d'oxygène dans l'air ambiant, il n'est homologué pour être utilisé que dans des atmosphères ne contenant pas plus de 21 % d'oxygène.

Les niveaux d'alarme pour les gaz individuels sont réglés en usine et

peuvent être modifiés dans le menu de réglage de l'appareil. Ces modifications peuvent aussi être effectuées via le logiciel MSA Link™. S'assurer d'avoir téléchargé la dernière version du logiciel MSA Link™ à partir du site web de MSA www.msanet.com.

Si du gaz est présent pendant le réglage à l'air frais (FAS), l'appareil se mettra en défaut et accédera directement au mode Mesure.

2.2 Interfaces matérielles

Le fonctionnement de l'appareil est géré par dialogue à partir de l'écran à l'aide de trois touches de fonction (voir FIGURE 2-1).

2.2.1 Description des touches

TOUCHE	DESCRIPTIONS
⊕	La touche ⊕ est utilisée pour mettre en marche ou arrêter l'appareil et pour valider les sélections d'actions par l'utilisateur. Si l'on appuie simultanément sur les touches ▲ et ⊕ au démarrage de l'appareil, la page de réglage des options s'affiche.
▼	La touche ▼ est utilisée pour avancer dans les écrans de données en mode mesure, ou pour retourner à la page précédente et pour diminuer les valeurs en mode réglage. Maintenir cette touche enfoncée pendant 3 secondes en mode Mesure normale pour activer l'alarme InstantAlert™.
▲	La touche ▲ est utilisée pour réinitialiser les valeurs maximales, STEL et TWA et valider les alarmes (quand cela est possible) ou pour accéder au calibrage en mode mesure. Elle sert également à passer à la page précédente ou à augmenter les valeurs en mode réglage.

2.2.2 Description des DEL

DEL	DESCRIPTIONS
VERTE	Le voyant DEL de sécurité clignote une fois toutes les 15 secondes pour signaler à l'utilisateur que l'appareil est en marche et qu'il fonctionne normalement selon les conditions établies dans la section 3.7. Cette option peut être désactivée via le logiciel MSA Link.
ROUGE	Les voyants DEL rouges sont les indications visuelles d'un état d'alarme ou d'un type quelconque d'erreur sur l'appareil.
JAUNE	La DÉL jaune est une indication visuelle d'une condition de défaillance de l'instrument. Cette DÉL s'allume dans les conditions suivantes : <ul style="list-style-type: none">• Erreur de mémoire de l'instrument• Capteur absent• Erreur de capteur
ROUGE/VERT	La DEL de charge indique l'état de charge. Rouge signifie que l'instrument est en cours de chargement Vert indique que l'instrument est complètement chargé

2.2.3 Vibreur

L'appareil est équipé d'un vibreur.

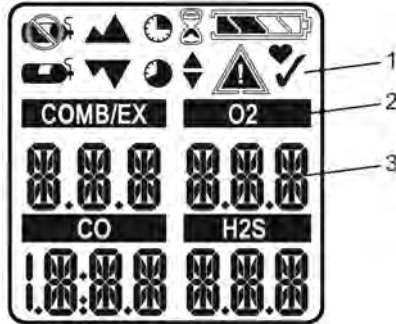
2.2.4 Rétroéclairage

L'éclairage par l'arrière s'allume automatiquement lorsque tout bouton du panneau avant est enfoncé et il reste allumé pour la durée de la temporisation sélectionnée par l'utilisateur. Cette durée de MARCHE/ ARRÊT peut être changée par l'intermédiaire du logiciel MSA Link.

2.2.5 Avertisseur

L'avertisseur fournit une alarme sonore.

2.2.6 Indicateurs à l'écran



- 1 Symboles graphiques
- 2 Type de gaz
- 3 Concentration de gaz

	Symbole d'alarme – Indique l'état d'alarme.		Pas de bouteille de gaz – Indique que le gaz de calibrage ne doit pas être utilisé et que l'appareil doit être exposé à l'air frais.
	Symbole de test de fonction (bump test) ok – Indique un test de fonction (bump test) ou un calibrage réussi.		Sabler – Indique que l'utilisateur doit attendre.
	Indique qu'une interaction est requise.		Minimum – Indique une valeur minimale ou une alarme basse. value or low alarm
	État de la batterie – Indique le niveau de charge de la batterie.		Symbole MAXIMUM – Indique la détection d'une valeur maximale ou une alarme haute.
	Étiquettes de capteurs.		STEL Symbol – Indique une alarme de limite d'exposition à court terme.
	Motion Alert™ – Indique que l'alarme de déplacement est activée.		Symbole MPT (TWA) – Indique une alarme de moyenne pondérée dans le temps.
	Bouteille de gaz de calibrage – Indique que du gaz de calibrage doit être utilisé.		Avertissement/indicateur de durée de service du capteur

Figure 2-2. Affichage et symboles graphiques

2.2.7 Indicateur de charge de la batterie

L'icône d'état de la batterie est affichée continuellement dans l'angle supérieur droit de l'écran. Au fur et à mesure que la batterie se décharge, les segments de l'icône de la batterie disparaissent jusqu'à ce qu'il ne reste que le contour de l'icône.

Chaque segment de l'indicateur représente approximativement 25 % de la capacité totale de la batterie.

Avertissement de la batterie

▲ AVERTISSEMENT

Si l'avertissement de la batterie (alarme) s'active pendant l'utilisation de l'appareil, quitter la zone immédiatement étant donné que la fin d'autonomie de la batterie est proche.


Le non-respect de cet avertissement peut entraîner des blessures graves, voire mortelles.

La durée de fonctionnement nominale de l'appareil à température ambiante est de 24 heures. La durée de fonctionnement réelle varie en fonction de la température ambiante et des conditions d'alarme. La durée de fonctionnement de l'appareil à -4 °F (-20 °C) est d'environ 14 heures.

Un avertissement de batterie faible indique qu'il reste une durée nominale de fonctionnement de 30 minutes avant que la batterie ne soit épuisée.

La durée de fonctionnement restant de l'appareil pendant un avertissement de batterie faible dépend des températures ambiantes..

Lorsque l'appareil passe en avertissement de batterie faible :


- l'indicateur de charge de la batterie clignote
- l'alarme retentit
- les voyants DEL d'alarme clignotent
- l'écran clignote « LOW BATT » et 
- l'appareil répète cet avertissement toutes les 15 secondes et continue de fonctionner jusqu'à ce qu'il soit éteint ou jusqu'à l'arrêt de la batterie.

Arrêt de la batterie

⚠ AVERTISSEMENT

Si le signal d'alarme d'arrêt de la batterie est émis, arrêter l'utilisation de l'appareil car il n'a plus assez de puissance pour indiquer les risques potentiels, et les personnes qui comptent sur ce produit pour leur propre sécurité peuvent subir des blessures graves voire mortelles.

L'appareil passe en mode arrêt de la batterie 60 secondes avant l'arrêt final (lorsque les batteries ne peuvent plus faire fonctionner l'appareil) :

- "BATT ALARM" et  clignotent à l'écran
- L'alarme retentit et les voyants clignotent ; l'alarme ne peut pas être mise en mode silencieux.
- Il est impossible de visualiser d'autres pages ; après environ une minute, l'appareil s'éteint automatiquement.

En cas d'arrêt de la batterie :

1. Quitter immédiatement la zone.
2. Rechargez ou remplacez les piles.

Chargement de la batterie

⚠ AVERTISSEMENT

Risque d'explosion : ne pas recharger l'appareil dans une zone dangereuse.

⚠ MISE EN GARDE

L'utilisation de tout autre chargeur que celui fourni avec l'appareil risque d'endommager ou de ne pas charger correctement les batteries.



- Le chargeur est capable de charger une batterie entièrement déchargée en moins de quatre heures dans un environnement normal à température ambiante.

REMARQUE : laisser les appareils très chauds ou froids reposer pendant une heure à température ambiante avant d'essayer de les charger.

- Les températures ambiantes minimale et maximale pour charger l'appareil sont respectivement de 10 °C (50 °F) et 35 °C (95 °F).

- Pour des résultats optimaux, charger l'appareil à température ambiante (23 °C).

Pour charger l'appareil

- Insérer fermement le connecteur du chargeur dans le port de charge au dos de l'appareil.
- Le symbole de la batterie  défile avec un nombre de segments qui augmente progressivement et la DEL de charge devient rouge jusqu'à ce que l'on atteigne 90 % de la pleine charge. Ensuite,  reste allumée et la DEL de charge devient verte lorsque la batterie est chargée à régime lent pour obtenir la pleine charge.
- Si un problème est détecté pendant le chargement, le symbole de la batterie clignote et la DEL est orange. Débrancher le chargeur momentanément pour réinitialiser le cycle de charge.

2.2.8 Bip de fonctionnement

Ce bip de fonctionnement s'active toutes les 30 secondes en émettant momentanément un signal sonore et en faisant clignoter les DEL d'alarme dans les conditions suivantes :

- Le bip de fonctionnement est activé
- L'appareil est sur une page normale de mesure des gaz
- L'appareil n'est pas en avertissement de batterie
- L'appareil n'est pas en alarme de gaz
- Les options sonores et visuelles sont activées

2.3 Affichage des écrans des options

L'écran principal s'affiche à la mise en marche de l'appareil.

Il est possible d'afficher les écrans des options en appuyant sur la touche ▼ pour accéder au :

2.3.1 Mode Test de fonction (bump test)

TPour sélectionner le mode Test de fonction (bump test), appuyer sur la touche ϕ .

Pour continuer, appuyer sur la touche ▼.

Pour revenir à la page principale, appuyer sur la touche ▲.

2.3.2 Valeurs maximales affichées (page PEAK (MAX))

L'icône des valeurs maximales ▲ indique les niveaux les plus élevés de gaz enregistrés par l'appareil depuis sa mise en marche ou depuis la réinitialisation des valeurs maximales affichées.

Pour réinitialiser les valeurs maximales affichées :

1. Accéder à la page PEAK (MAX).
2. Appuyer sur la touche ▲.

2.3.3 Valeurs minimales affichées (page MIN)

Cette page affiche le niveau d'oxygène le plus bas enregistré par l'appareil depuis sa mise en marche ou depuis la réinitialisation de la valeur minimale affichée.

L'icône de valeur minimale ▼ s'affiche à l'écran.

Pour réinitialiser la valeur MIN affichée :

1. Accéder à la page MIN.
2. Appuyer sur la touche ▲.

2.3.4 Limites d'exposition à court terme (page STEL (LECT))

▲ AVERTISSEMENT

Si l'état d'alarme LECT (STEL) est activé, quitter immédiatement la zone contaminée ; la concentration de gaz ambiant a atteint le niveau d'alarme LECT (STEL) prédéfini. Le non-respect de cet avertissement entraîne une surexposition aux gaz toxiques et les personnes qui comptent sur ce produit pour leur propre sécurité peuvent subir des blessures graves voire mortelles.

L'icône LECT (STEL) 🕒 s'affiche à l'écran pour montrer l'exposition moyenne pendant une durée de 15 minutes.

Lorsque la quantité de gaz détectée par l'appareil est supérieure à la limite d'exposition à court terme :

- L'alarme retentit
- Les voyants DEL d'alarme clignotent

- L'icône LECT (STEL) clignote.

Pour réinitialiser la limite d'exposition à court terme :

1. Accéder à la page LECT (STEL).
2. Appuyer sur la touche ▲.

L'alarme LECT (STEL) est calculée pendant une exposition de 15 minutes.

Exemples de calcul de LECT (STEL) :

Supposons que l'appareil fonctionne depuis au moins 15 minutes :

- **Exposition de 35 ppm pendant 15 minutes :**

$$\frac{(15 \text{ minutes} \times 35 \text{ PPM})}{15 \text{ minutes}} = 35 \text{ PPM}$$

- **Exposition de 35 ppm pendant 10 minutes et 5 minutes d'exposition de 15 ppm :**

$$\frac{(10 \text{ minutes} \times 35 \text{ PPM}) + (5 \text{ minutes} \times 15 \text{ PPM})}{15 \text{ minutes}} = 25 \text{ PPM}$$

Cette page peut être désactivée par l'intermédiaire de MSA Link.

2.3.5 Moyenne pondérée dans le temps (page MPT (TWA))

⚠ AVERTISSEMENT

Si l'état d'alarme MPT (TWA) est activé, quitter immédiatement la zone contaminée ; la concentration de gaz ambiant a atteint le niveau d'alarme MPT (TWA) prédéfini. Le non-respect de cet avertissement entraîne une surexposition aux gaz toxiques et les personnes qui comptent sur ce produit pour leur propre sécurité peuvent subir des blessures graves voire mortelles.

L'icône MPT (TWA) 🟦 s'affiche à l'écran pour montrer l'exposition moyenne depuis la mise en marche de l'appareil ou depuis la réinitialisation de la valeur MPT (TWA) affichée. Lorsque la quantité de gaz détectée est supérieure à la moyenne pondérée pendant huit heures :

- L'alarme retentit

- Les voyants DEL d'alarme clignotent
- L'icône MPT (TWA) clignote.

Pour réinitialiser la moyenne pondérée dans le temps

1. Accéder à la page MPT (TWA).
2. Appuyer sur la touche ▲.

L'alarme de moyenne pondérée dans le temps est calculée pendant une exposition de huit heures.

Exemples de calcul de moyenne pondérée dans le temps :

- **Exposition de 50 ppm pendant une heure :**

$$\frac{(1 \text{ heure} \times 50 \text{ PPM}) + (7 \text{ heures} \times 0 \text{ PPM})}{8 \text{ heures}} = 6.25 \text{ PPM}$$

- **Exposition de 50 ppm pendant 4 heures et exposition de 100 ppm pendant 4 heures :**

$$\frac{(4 \text{ heures} \times 50 \text{ PPM}) + (4 \text{ heures} \times 100 \text{ PPM})}{8 \text{ heures}} = 75 \text{ PPM}$$

- **Exposition de 100 ppm pendant 12 heures :**

$$\frac{(12 \text{ heures} \times 100 \text{ PPM})}{8 \text{ heures}} = 150 \text{ PPM}$$

2.3.6 Affichage de l'heure

L'heure est affichée par défaut à l'écran au format 12 heures.

Le format 24 heures peut être sélectionné à l'aide de MSA Link.

2.3.7 Affichage de la date

La date courante est affichée à l'écran au format : MM-JJ-AAAA.

2.3.8 Page dernier Cal

Affiche la dernière date de calibrage réussi de l'instrument au format : MM-JJ-AAAA.

2.3.9 Page échéance Cal

Affiche le nombre de jours jusqu'à l'échéance du calibrage suivant de l'instrument (sélection possible par l'utilisateur).

2.3.10 Activation de Motion Alert (alarme de déplacement)

Pour activer ou désactiver la fonction Motion Alert, appuyer sur la touche ▲ pendant que la page Motion Alert Activation est affichée. Lorsque la fonction Motion Alert est activée, le symbole △ clignote toutes les 3 secondes. L'appareil entre en pré-alarme si aucun déplacement n'est détecté pendant 20 secondes. Cette condition peut être effacée en déplaçant l'appareil.

Après 30 secondes d'inactivité, l'alarme de déplacement complète est déclenchée. Cette alarme ne peut être effacée qu'en appuyant sur la touche ▲.

2.4 Alarme de capteur manquant

L'appareil passe en alarme de capteur manquant s'il détecte qu'un capteur activé n'est pas installé correctement ou n'est pas fonctionnel.

Si un capteur est détecté comme manquant :

- Le message « SENSOR ERROR » s'affiche
- L'étiquette au-dessus du capteur détecté comme manquant clignote sur l'écran
- L'alarme retentit et les voyants clignotent
- La DEL de panne jaune est allumée en permanence
- S'il y a une erreur de capteur au démarrage, l'appareil s'arrête en 60 secondes.

2.5 Avertissement de durée de service de capteur

Si le capteur est en fin de durée de service, l'instrument en avertit l'utilisateur après calibrage. Bien que le capteur fonctionne parfaitement à ce stade, l'avertissement donne assez de temps pour se procurer un capteur de rechange à l'avance et ainsi minimiser les temps d'arrêt. Le ♥ est affiché continuellement. Voir la section 3.9 sur le calibrage pour plus de détails.

2.6 Indicateur de durée de service du capteur

Si l'instrument n'arrive pas à calibrer un ou plusieurs capteurs, l'instrument affiche les mots « Scan » « Err », suivis par les symboles ▲ et ♥ afin de signaler que le ou les capteurs ne fonctionnent plus. Voir la section 3.9 sur le calibrage pour plus de détails.

2.7 Surveillance des gaz toxiques

L'appareil peut surveiller la concentration des gaz toxiques suivants dans l'air ambiant :

- Monoxyde de carbone (CO)
- Hydrogène sulfuré (H₂S).

L'appareil affiche la concentration des gaz en parties par million (PPM) ou mg/m³ sur la page de mesure jusqu'à ce qu'une autre page soit sélectionnée ou que l'appareil soit éteint.

▲ AVERTISSEMENT

Si une alarme est déclenchée lors de l'utilisation de l'appareil, quitter immédiatement la zone.

Le fait de rester sur place dans de telles circonstances peut occasionner des blessures graves, voire mortelles.

L'instrument possède quatre alarmes de gaz pour chaque gaz toxique :

- Alarme HAUTE
- Alarme BASSE
- Alarme LECT (STEL)
- Alarme MPT (TWA).

Si la concentration de gaz atteint ou dépasse la valeur de consigne d'alarme :

- Le rétroéclairage s'allume
- Un vibreur se déclenche
- L'icône d'alarme ▲ et soit l'icône Minimum ▼ (alarme BASSE) soit l'icône Maximum ▲▲ (alarme HAUTE) s'affichent et clignotent
- L'appareil passe en état d'alarme.

2.8 Surveillance de la concentration d'oxygène

L'appareil surveille la concentration d'oxygène dans l'air ambiant. Les valeurs de consigne peuvent être définies pour activer l'alarme dans deux conditions différentes :

- Enrichissement - concentration d'oxygène > 20,8 % ou
- Appauvrissement - concentration d'oxygène < 19,5 %.

Bien que l'appareil puisse détecter jusqu'à 30 % d'oxygène dans l'air ambiant, il n'est homologué pour être utilisé que dans des atmosphères ne contenant pas plus de 21 % d'oxygène.

▲ AVERTISSEMENT

Si une alarme est activée lors de l'utilisation de l'appareil, quitter immédiatement la zone.

Si on reste dans la zone dans de telles circonstances, cela peut conduire à des blessures graves, voire la mort.

Lorsque la valeur de consigne d'alarme est atteinte dans l'une des conditions ci-dessus :

- Une alarme retentit
- Les voyants DEL d'alarme clignotent
- Un vibreur se déclenche
- L'icône d'alarme ▲ et soit l'icône Minimum ▼ (alarme Enrichissement) soit l'icône Maximum ▲▲ (alarme Appauvrissement) clignotent et s'affichent avec la concentration d'oxygène correspondante.

L'alarme BASSE (appauvrissement en oxygène) se verrouille et ne sera pas réinitialisée automatiquement lorsque la concentration d'O₂ passera au-dessus de la valeur de consigne BASSE. Pour réinitialiser l'alarme, appuyer sur la touche ▲. Si la condition d'alarme est toujours présente, la touche ▲ met seulement l'alarme en mode silencieux pendant cinq secondes.

De fausses alarmes d'oxygène peuvent se produire en raison des changements de pression barométrique (altitude) ou des écarts extrêmes de la température ambiante.

Il est recommandé d'effectuer un calibrage de l'oxygène à la température et la pression d'utilisation. S'assurer que l'appareil se trouve dans l'air frais connu avant de procéder au calibrage.

2.9 Surveillance des gaz inflammables

L'appareil affiche la concentration de gaz inflammable en pour cent de la limite inférieure d'explosivité (LIE) (LEL) ou en pour cent de CH₄ sur la page de mesure jusqu'à ce qu'une autre page soit sélectionnée ou que l'appareil soit éteint.

AVERTISSEMENT




Si une alarme est activée lors de l'utilisation de l'appareil, quitter immédiatement la zone.

Si on reste dans la zone dans de telles circonstances, cela peut conduire à des blessures graves, voire la mort.

L'appareil dispose de deux valeurs de consigne d'alarme :

- Alarme HAUTE
- Alarme BASSE.

Si la concentration de gaz atteint ou dépasse la valeur de consigne d'alarme :

- Le rétroéclairage s'allume
- Un vibreur se déclenche
- L'icône d'alarme  et soit l'icône Minimum  (alarme BASSE) soit l'icône Maximum  (alarme HAUTE) s'affichent et clignotent
- L'appareil passe en état d'alarme.

Lorsque le relevé de gaz atteint 100 % LEL ou 5 % CH₄, l'instrument passe à l'état d'alarme avec verrou, et le capteur de gaz inflammables s'éteint et affiche « xxx » au lieu du relevé. Une réinitialisation n'est alors possible qu'en éteignant, puis rallumant, l'appareil à l'air frais.

AVERTISSEMENT

Une valeur de gaz inflammable affichée de "100" ou "5,00" indique que l'atmosphère est au-dessus de 100 % de la LIE (LEL) ou 5,00 % vol. CH₄ et qu'un danger d'explosion existe. S'éloigner immédiatement de la zone contaminée.

Dans ce cas, la fonction de verrouillage d'alarme de l'appareil s'active.

3. Fonctionnement

Le fonctionnement de l'appareil est géré par dialogue à partir de l'écran à l'aide de trois touches de fonction (voir chapitre 2).

3.1. Facteurs environnementaux

Un certain nombre de facteurs environnementaux peuvent avoir un effet sur les valeurs affichées par les capteurs de gaz, notamment les changements de pression, d'humidité et de température. Les changements de pression et d'humidité affectent la quantité d'oxygène réellement présente dans l'atmosphère.

Changements de pression

Si la pression change rapidement (p. ex. en passant à travers un sas, la valeur affichée sur le capteur d'oxygène peut changer temporairement et éventuellement déclencher l'alarme du détecteur. Alors que le pourcentage d'oxygène peut rester à 20,8 % vol. ou avoisiner cette valeur, la quantité totale d'oxygène présente dans l'atmosphère disponible pour la respiration peut devenir un danger si la pression totale est réduite de manière importante.

Changements d'humidité

Si le taux d'humidité change de manière importante (p.ex. en passant d'un environnement climatisé sec à l'air extérieur chargé d'humidité), les valeurs d'oxygène affichées peuvent être réduites de jusqu'à 0,5 %, en raison de la vapeur d'eau présente dans l'oxygène.

Le capteur d'oxygène dispose d'un filtre spécial pour réduire les effets des changements d'humidité sur les valeurs d'oxygène affichées. Cet effet ne sera pas remarqué immédiatement, mais aura finalement un impact sur les valeurs d'oxygène au bout de plusieurs heures.

Changements de température

Les capteurs disposent d'une compensation de température intégrée. Toutefois, en cas d'écart de température important, la valeur affichée sur le capteur peut changer. Calibrer l'appareil à zéro à la température du lieu de travail pour le moindre effet.

3.2. Mise en marche de l'appareil et réglage à l'air frais

Le fonctionnement de l'appareil est géré par dialogue à partir de l'écran à l'aide de trois touches de fonction (voir chapitre 2.2.1). Pour plus d'informations, voir les organigrammes au chapitre 7.





Mettre l'appareil en marche à l'aide de la touche .

L'appareil réalise un autotest puis accède au réglage à l'air frais :

- Tous les segments d'affichage sont activés.
- L'alarme sonore est émise.
- Les voyants DEL d'alarme sont allumés.
- Le vibreur est activé.

Pendant l'autotest, l'appareil vérifie les éventuels capteurs manquants. En cas de capteur manquant, l'appareil affiche l'écran de capteur manquant et émet un signal d'alarme jusqu'à ce qu'il soit éteint. Sinon, la séquence de mise en marche continue.

L'appareil affiche les informations suivantes :

- Auto test alarme et affichage
- Nom du fabricant
- Nom de l'appareil
- Version du logiciel
- Exploration des capteurs
- Type de gaz inflammable
- Unités gaz toxiques
- Valeurs de consigne d'alarme ( , ) ( , )
- Valeurs de calibrage
- Date et heure
- Dernière date CAL. (si activée)
- Date d'échéance CAL (si activée)
- Option de réglage à l'air frais.

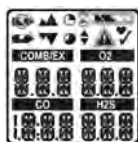
Voir l'organigramme dans l'annexe, chapitre 7.1.

3.2.1 Affichages à l'écran lors du démarrage

Pendant la séquence de mise en marche, toutes les temporisations d'affichage automatique des pages sont préréglées sur une plage de deux à quatre secondes. Plusieurs séquences se produisent et différents écrans s'affichent lors du démarrage :

Autotest de l'appareil

L'appareil réalise un autotest.



Nom de l'appareil et version du logiciel

La version du logiciel et le nom de l'appareil s'affichent.



Type de gaz inflammable

Le nom du gaz inflammable s'affiche, p. ex. BUTANE. Le type de gaz inflammable ne peut être modifié que manuellement via le menu REGLAGE DES CAPTEURS ou le logiciel MSA Link.



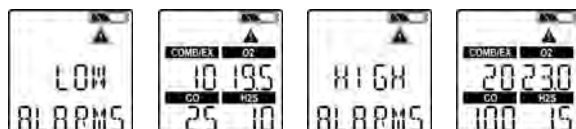
Unités gaz toxiques

Le nom des unités gaz toxiques s'affiche (ppm ou mg/m³). Les unités gaz toxiques ne peuvent être modifiées que via le logiciel MSA Link.



Valeurs de consigne alarme

Les valeurs de consigne d'alarme pour tous les capteurs installés et activés s'affichent. Les valeurs de consigne d'alarme BASSE s'affichent, suivies des valeurs de consigne d'alarme HAUTE. Les valeurs de consigne d'alarme peuvent être modifiées manuellement via le menu Réglage ou le logiciel MSA Link.



Valeurs de consigne LECT (STEL) et MPT (TWA)

Les valeurs LECT (STEL) et MPT (TWA) prédéfinies pour les capteurs installés et activés s'affichent.



Valeurs de calibrage

Les valeurs LECT (STEL) et MPT (TWA) prédéfinies pour les capteurs installés et activés s'affichent.

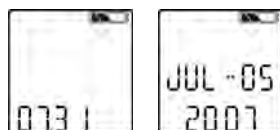


Heure et date

La date s'affiche au format mois, jour et année.

Si la batterie est complètement déchargée, l'heure et la date sont remises à zéro. Au démarrage, l'utilisateur est invité à saisir l'heure et la date.

Si les informations d'heure et de date sont manquantes, elles sont réinitialisées au [Jan-01-2008] avec l'heure [00:00].



Dernière date de CAL et date d'échéance du CAL

Ces options d'affichage peuvent être réglées par le logiciel MSA Link. Si ces options ne sont pas réglées, ces écrans ne sont pas affichés.

- La dernière date de CAL par défaut est activée.
- La date d'échéance du CAL par défaut est désactivée.



Réglage à l'air frais (FAS)

L'écran de réglage à l'air frais s'affiche (voir chapitre 3.2.2).



3.2.2 Réglage à l'air frais (FAS)

Le réglage à l'air frais (FAS) sert au calibrage ZERO automatique de l'appareil.

Le réglage à l'air frais a des limites. Le zéro d'un capteur en dehors de ces limites ne sera pas réglé par la commande de réglage à l'air frais.

Si un cycle de charge de la batterie est interrompu avant la fin (4 heures pour une batterie entièrement déchargée), laisser la température interne de l'appareil se stabiliser pendant 30 minutes avant de réaliser un réglage à l'air frais.

▲ AVERTISSEMENT

Ne pas activer le réglage à l'air frais, à moins d'être certain que l'air ambiant est frais et non contaminé ; sinon, des valeurs fausses peuvent s'afficher et indiquer de manière erronée qu'une atmosphère dangereuse est sûre. Au moindre doute sur la qualité de l'air ambiant, ne pas utiliser la fonction de réglage à l'air frais. Ne pas utiliser le réglage à l'air frais comme un substitut pour les contrôles de calibrage quotidiens. Le contrôle de calibrage est nécessaire pour vérifier la précision du calibrage à gaz. Le non-respect de cet avertissement peut entraîner des blessures graves, voire mortelles.



Figure 3-1. Réglage à l'air frais

Si cette option est activée, l'appareil affiche « FAS? », en invitant l'utilisateur à effectuer un réglage à l'air frais.

1. Appuyer sur la touche ▲ pour passer le réglage à l'air frais.
 - L'écran de réglage à l'air frais n'est pas affiché
 - L'appareil accède à la page de mesure (page principale).
2. Appuyer sur la touche Ⓞ pendant 10 secondes pour exécuter le réglage à l'air frais.
 - L'appareil commence le réglage à l'air frais.
 - L'écran affiche un symbole d'absence de gaz, un sablier clignotant et les valeurs de l'ensemble des capteurs de gaz activés.
 - À la fin du calibrage FAS, l'appareil affiche "FAS OK" ou "FAS ERR". " ainsi que les étiquettes des capteurs qui étaient en dehors des limites de réglage à l'air frais. Tous les capteurs qui sont dans les limites de réglage à l'air frais sont ensuite réinitialisés.

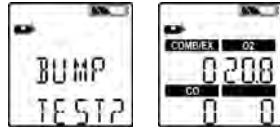
3.3. Mode Mesure (fonctionnement normal)

En mode de fonctionnement normal, l'utilisateur peut vérifier les valeurs Minimum et Maximum affichées avant d'initialiser les valeurs LECT (STEL) et MPT (TWA) ou d'effectuer un calibrage zéro et un calibrage à gaz.

Les pages d'options suivantes peuvent être affichées à partir de l'écran de fonctionnement normal :

Page Test de fonction (bump test)

Cette page permet à l'utilisateur d'effectuer un test de fonction (bump test).



Page Max

Cette page affiche les valeurs maximales affichées pour tous les capteurs.



Page Min

Cette page affiche la valeur minimale affichée pour le capteur d'oxygène.



Page LECT (STEL)

Cette page affiche les valeurs LECT (STEL) calculées de l'appareil.



Page MPT (TWA)

Cette page affiche les valeurs MPT (TWA) calculées de l'appareil.



Page Heure / Date

Cette page affiche les réglages d'heure et de date actuels de l'appareil.



Alarme de déplacement (option)

Cette page permet d'activer ou de désactiver la fonction Alarme de déplacement.



À l'aide des trois touches de l'appareil, l'utilisateur peut naviguer à travers chaque sous-menu dans une séquence haut/bas.

Se reporter aux chapitres 2.3 et 7.3 dans l'annexe pour des instructions détaillées sur la navigation dans ces écrans.

3.4 Réglage de l'appareil

Ce chapitre décrit les options de configuration qui sont disponibles via les menus de réglage des options. Il est uniquement possible d'accéder à ces menus lorsqu'on met l'appareil en marche en actionnant et en maintenant enfoncée la touche ▲ (voir chapitre 3.2 et 7.3).

Ce mode peut être activé uniquement à la mise en marche de l'appareil.

Procéder comme suit :

1. Actionner et maintenir enfoncée la touche ▲ en mettant l'appareil en marche.
 - Utiliser les touches ▲ et ▼ pour saisir le mot de passe pour le réglage. Le mot de passe par défaut est « 672 ».
2. Appuyer sur la touche Ⓞ pour accéder aux menus de réglage.
 - Mot de passe incorrect : l'appareil accède au mode Mesure.
 - Mot de passe correct : l'appareil continue/émet un signal sonore trois fois.

Il est possible de modifier le mot de passe via le logiciel MSA Link.
En mode Réglage :

- Appuyer sur la touche ϕ pour enregistrer la valeur choisie ou accéder à la page suivante.
- Appuyer sur la touche \blacktriangle pour augmenter les valeurs de un ou pour activer/désactiver une sélection.
- Actionner et maintenir enfoncée la touche \blacktriangle pour augmenter les valeurs de 10.
- Appuyer sur la touche \blacktriangledown pour diminuer les valeurs de un ou pour activer/désactiver une sélection.

Actionner et maintenir enfoncée la touche \blacktriangledown pour diminuer les valeurs de 10.

Les options suivantes sont disponibles en actionnant les touches \blacktriangledown et \blacktriangle :

- Réglage des capteurs (SENSOR SETUP) - voir chapitre 3.4.1
- Réglage du calibrage (CAL SETUP) - voir chapitre 3.4.2
- Réglage des alarmes (ALARM SETUP) - voir chapitre 3.4.3
- Réglage de l'heure et de la date (TIME SET) - voir chapitre 3.4.4
- Sortie (EXIT).

3.4.1 Réglage des capteurs

Chaque capteur peut être activé ou désactivé.
Pour plus d'informations, voir l'organigramme au chapitre 7.6.



Figure 3-2. Réglage des capteurs

1. Pour passer ce réglage, appuyer sur la touche \blacktriangle ou \blacktriangledown ; sinon, continuer comme suit.
2. Appuyer sur la touche ϕ pour accéder au sous-menu.

3. Utiliser la touche ▲ ou ▼ pour changer d'option et valider avec la touche Ⓟ .
4. Répéter cette procédure pour tous les autres capteurs.
5. Après avoir réglé le dernier capteur, passer au réglage du calibrage.

3.4.2 Réglage du calibrage

L'utilisateur peut modifier et définir les valeurs de calibrage pour chaque capteur. Il est aussi possible de spécifier si l'écran de date d'échéance du CAL est affiché et de définir le nombre de jours jusqu'à la prochaine date d'échéance du calibrage. Pour plus d'informations, voir l'organigramme au chapitre 7.7.



Figure 3-3. Réglage du calibrage

1. Pour passer ce réglage, appuyer sur la touche ▲ ou ▼ ; sinon, continuer comme suit.
2. Appuyer sur la touche Ⓟ pour accéder au sous-menu.
 - La concentration du gaz de calibrage du premier capteur est affichée.
3. Appuyer sur la touche ▲ ou ▼ pour modifier la valeur.
4. Appuyer sur la touche Ⓟ pour enregistrer la valeur.
 - L'écran de réglage du capteur suivant s'affiche.
5. Répéter la procédure pour tous les autres capteurs.
 - Après avoir réglé le dernier capteur, l'utilisateur est invité à définir la date d'échéance du calibrage.
6. Appuyer sur la touche ▲ ou ▼ pour activer ou désactiver la date d'échéance du calibrage (CALDUE). Appuyer sur la touche Ⓟ pour confirmer la sélection.
7. Si la date d'échéance du calibrage est activée, appuyer sur la touche ▲ ou ▼ pour sélectionner le nombre de jours
8. Valider avec la touche Ⓟ .
9. Après la validation, passer au réglage des alarmes.

3.4.3 Réglage des alarmes

L'utilisateur peut activer ou désactiver toutes les alarmes et modifier les valeurs de consigne des alarmes pour chaque capteur. Pour plus d'informations, voir l'organigramme au chapitre 7.8. Voir le chapitre 5.2 pour les limites de réglage des alarmes. La valeur d'alarme haute peut uniquement être réglée sur une valeur supérieure à la valeur de consigne d'alarme basse.

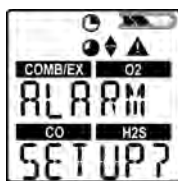


Figure 3-4. Réglage des alarmes

1. Pour passer ce réglage, appuyer sur la touche ▼ ou ▲; sinon, continuer comme suit.
2. Appuyer sur la touche Ⓟ pour accéder au sous-menu.
3. Activer ou désactiver les alarmes en appuyant sur la touche ▲ ou ▼. Valider avec la touche Ⓟ.
 - Les valeurs d'ALARME BASSE du premier capteur s'affichent.
4. Appuyer sur la touche ▲ ou ▼ pour modifier la valeur..
5. Appuyer sur la touche Ⓟ pour enregistrer la valeur.
 - Les valeurs d'ALARME HAUTE du premier capteur s'affichent.
6. Appuyer sur la touche ▲ ou ▼ pour modifier la valeur.
7. Appuyer sur la touche Ⓟ pour enregistrer la valeur.
 - Les valeurs d'alarme LECT (STEL) (pour les capteurs de gaz toxiques uniquement) s'affichent.
8. Appuyer sur la touche ▲ ou ▼ pour modifier la valeur.
9. Appuyer sur la touche Ⓟ pour enregistrer la valeur.
 - Les valeurs d'alarme MPT (TWA) (pour les capteurs de gaz toxiques uniquement) s'affichent.
10. Appuyer sur la touche ▲ ou ▼ pour modifier la valeur.
11. Appuyer sur la touche Ⓟ pour enregistrer la valeur.
12. Répéter la procédure pour tous les autres capteurs.

13. Après avoir réglé le dernier capteur, passer au réglage de l'heure et la date.

60 % de la LIE (LEL) ou 3,0 % de volume de méthane constitue la valeur de consigne maximale de l'alarme haute pouvant être programmée par l'utilisateur.

L'alarme gaz inflammables peut être désactivée par l'utilisateur dans le menu de réglage de l'appareil. Lorsque l'alarme gaz inflammables est désactivée, la seule indication donnée à l'utilisateur à ce sujet intervient lors de la mise en marche de l'appareil avec un écran de départ indiquant que l'alarme gaz inflammables est désactivée. Lorsqu'elle est activée, l'alarme haute gaz inflammables se verrouille. L'alarme gaz inflammables peut momentanément être mise en mode silencieux en appuyant sur la touche ▲. Cependant, si la concentration de gaz à l'origine de l'alarme est toujours présente, l'unité repasse en alarme.

3.4.4 Réglage de l'heure et la date

Ce sous-menu est destiné au réglage de la date et l'heure. Pour plus d'informations, voir l'organigramme au chapitre 7.9.



Figure 3-5. Réglage de l'heure et la date

1. Pour passer ce réglage, appuyer sur la touche ▼ ou ▲ ; sinon, continuer comme suit.
2. Appuyer sur la touche Ⓟ pour accéder au sous-menu.
3. Régler le mois en appuyant sur la touche ▲ ou ▼.
4. Appuyer sur la touche Ⓟ pour valider le mois.
5. Répéter cette procédure pour le jour, l'année, les heures et les minutes.
 - Par défaut, l'heure est affichée au format 12 heures.
 - L'écran de sortie EXIT s'affiche ensuite.
6. Valider cet écran avec la touche Ⓟ pour quitter le réglage de l'appareil.

- Si les capteurs ne sont pas encore prêts, le compte-à-rebours est affiché.
- L'appareil passe ensuite en mode Mesure.

3.5 Consignation des données

Connexion de l'appareil à un PC

1. Allumer l'appareil ALTAIR 4X et relier le port de communication pour la transmission de données sur le détecteur Altair 4X à l'interface IR du PC.
2. Utiliser le logiciel MSA Link pour communiquer avec l'appareil. Se reporter à la documentation de MSA Link pour les instructions détaillées.

3.6 Tests de fonctionnement sur l'appareil

Test des alarmes

Mettre l'appareil en marche. Vérifier que :

- tous les segments LCD sont activés momentanément
- les voyants DEL d'alarme clignotent
- l'avertisseur retentit brièvement
- le vibreur se déclenche brièvement.

3.7 Voyant DEL de sécurité

L'appareil est équipé d'un voyant « DEL de sécurité » vert. Ce voyant DEL de sécurité vert clignote toutes les 15 secondes dans les conditions suivantes :

- La fonction DEL de sécurité est activée
- L'appareil est en mode mesure (fonctionnement normal)
- La valeur affichée des gaz inflammables est de 0 % LIE (LEL) ou 0,00 % CH₄
- La valeur affichée de l'oxygène (O₂) est de 20,8 %
- La valeur affichée du monoxyde de carbone (CO) est de 0 ppm ou 0 mg/m³

- La valeur affichée d'hydrogène sulfuré (H₂S) est de 0 ppm ou 0 mg/m³
- Aucune alarme de gaz n'est présente (basse ou haute)
- L'appareil n'est pas en état d'avertissement ou d'alarme de batterie faible
- Les valeurs affichées CO, H₂S, STEL et TWA sont de 0 ppm ou 0 mg/m³.

3.8 Test de fonction (bump test)

⚠ AVERTISSEMENT

Réaliser un test de fonction (bump test) avant chaque utilisation quotidienne afin de vérifier le fonctionnement correct de l'appareil. Le manquement de réaliser ce test peut occasionner des blessures graves, voire mortelles.

Ce test confirme rapidement que les capteurs de gaz sont en état de fonctionnement. Réaliser régulièrement un calibrage complet pour garantir la précision et immédiatement si l'appareil ne réussit pas le test de fonction (bump test). Le test de fonction peut être réalisé à l'aide de la procédure ci après ou automatiquement à l'aide du test Galaxy.

L'organisme CSA exige (selon 22.2 N° 152) que la sensibilité soit testée avant chaque utilisation quotidienne sur une concentration connue de méthane équivalente à 25 à 50 % de la concentration pleine échelle. LA PRECISION DOIT ETRE COMPRISE ENTRE 0 à +20 % DE LA CONCENTRATION REELLE. Corriger la précision en exécutant la procédure de calibrage fournie dans ce manuel.

3.8.1 Equipements

Voir le chapitre Accessoires pour plus d'informations sur la commande de ces composants.

- Bouteille de gaz de contrôle de calibrage
- Régulateur de débit 0,25 litre/min.
- Tuyau Superthane Ester de 1/8 po DI
- Bouchon de calibrage Altair 4X.

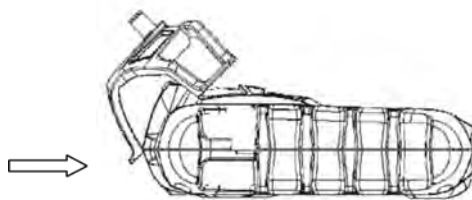
3.8.2 Réalisation d'un test de fonction (Bump test)

1. À partir de l'écran de mesure normale, appuyer sur la touche ▼ pour afficher « BUMP TEST? ».

2. Vérifier que les concentrations de gaz affichées correspondent à la bouteille de gaz de contrôle de calibrage. Dans le cas contraire, régler les valeurs via le menu Calibrage comme décrit au chapitre 3.4.2.



3. Fixer le bouchon de calibrage sur l'appareil.
 - Insérer la patte sur le bouchon de calibrage dans la fente située sur l'appareil.
 - Pousser le bouchon de calibrage comme indiqué jusqu'à ce qu'il repose sur l'appareil.



- Appuyer des deux côtés sur les pattes contre l'appareil jusqu'à ce qu'elles s'engagent.



- S'assurer que le bouchon de calibrage est correctement posé.
- Relier une extrémité du tuyau au bouchon de calibrage.
- Relier l'autre extrémité du tuyau au régulateur de la bouteille (fourni dans le kit de calibrage).

- Appuyer sur la touche Φ pour démarrer le test de fonction, puis ouvrir la valve sur le régulateur. Le sablier clignote et les capteurs réagissent alors au gaz.



Une fois le test terminé, l'appareil affiche momentanément « BUMP PASS » ou « BUMP ERROR » ainsi que l'étiquette de tout capteur éventuellement en défaut avant de revenir au mode mesure. Si l'appareil ne réussit pas le test, réaliser un calibrage comme décrit au chapitre 3.9.



- Le symbole \checkmark est affiché en mode mesure pendant 24 heures après un test de fonction réussi.

3.9 Calibrage

L'appareil ALTAIR 4X peut être calibré, soit manuellement en utilisant cette procédure, soit automatiquement en utilisant le banc de test Galaxy. Se reporter au chapitre 7.7 de l'Annexe. Il faut réaliser le calibrage en utilisant un régulateur de débit avec le débit réglé à 0,25 litre/min.

Si un cycle de charge de la batterie est interrompu avant la fin (4 heures pour une batterie entièrement déchargée), laisser la température interne de l'appareil se stabiliser pendant 30 minutes avant de réaliser un calibrage.

REMARQUE : Le banc de test Galaxy n'est pas une méthode de calibrage certifiée par la CSA.

3.9.1 Calibrage à l'air frais et zéro

Pour passer la procédure de calibrage ZERO et accéder directement à la procédure de calibrage à gaz, appuyer sur la touche ▲. Si aucune touche n'est actionnée pendant 30 secondes, l'appareil invite l'utilisateur à réaliser un calibrage à gaz avant de revenir au mode de fonctionnement normal.

1. Actionner et maintenir enfoncée la touche ▲ en mode de fonctionnement normal pendant trois secondes.
2. Si l'option de verrouillage du calibrage est sélectionnée, saisir le mot de passe.

- L'écran ZERO s'affiche alors.

Si l'option de verrouillage du calibrage N'EST PAS sélectionnée :

- L'écran ZERO s'affiche.



3. Si l'appareil est exposé à l'air frais, appuyer sur la touche Ⓞ pour valider l'écran ZERO. Un réglage à l'air frais et un calibrage du zéro sont alors exécutés.

REMARQUE : une autre possibilité est d'appuyer sur le bouton ▼ pour exécuter un réglage à l'air frais (FAS). Voir la section 3.2.2 pour plus de détails.

- Une fois le calibrage ZERO terminé, l'appareil affiche momentanément « ZERO PASS » or « ZERO ERR » ainsi que l'étiquette de tout capteur éventuellement en défaut.



REMARQUE: Lors du calibrage zéro de l'instrument, le capteur O₂ est aussi l'objet d'un calibrage de plage à l'air frais avec 20,8 % O₂, en ajustant la courbe de calibrage selon les besoins. Pendant le calibrage de plage de l'instrument, la précision du capteur O₂ est contrôlée en fonction d'une concentration connue d'oxygène gazeux sans ajuster la courbe de calibrage.

3.9.2 Calibrage à gaz

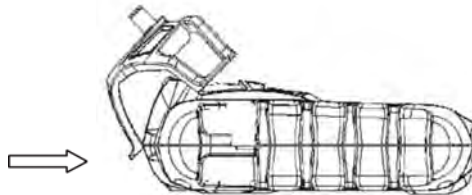
Pour passer la procédure de calibrage à gaz, appuyer sur la touche ▲.

Si aucune touche n'est actionnée pendant 30 secondes, l'appareil revient au mode Mesure.

1. Une fois que le zéro est réglé, l'écran de calibrage à gaz s'affiche.
2. Relier le gaz de calibrage approprié à l'appareil.



3. Fixer le bouchon de calibrage sur l'appareil.
 - Insérer la patte sur le bouchon de calibrage dans la fente située sur l'appareil.
 - Pousser le bouchon de calibrage comme indiqué jusqu'à ce qu'il repose sur l'appareil.



- Appuyer des deux côtés sur les pattes contre l'appareil jusqu'à ce qu'elles s'engagent.



- S'assurer que le bouchon de calibrage est correctement posé.
 - Relier une extrémité du tuyau au bouchon de calibrage.
 - Relier l'autre extrémité du tuyau au régulateur de la bouteille (fourni dans le kit de calibrage).
4. Ouvrir la valve sur le régulateur.
 5. Appuyer sur la touche ϕ pour le calibrage à gaz de l'appareil.
 - Les voyants DEL clignotent
 - Le calibrage À GAZ (SPAN) démarre.



Une fois le calibrage à gaz terminé, l'appareil affiche momentanément « SPAN PASS ».

Si le capteur est en fin de durée de service, le message « SPAN PASS » est suivi d'un avertissement de fin de durée de service (♥). Le symbole ♥ et le type de gaz du capteur en fin de durée de service clignotent pendant 15 secondes lorsque l'instrument revient en mode Mesure. Le symbole du cœur est alors affiché en permanence.



Si le calibrage de plage ne réussit pas :

- un indicateur de durée de service du capteur affiche (▲ et ♥) pour signaler que le capteur devra être remplacé
- L'appareil demeure en état d'alarme jusqu'à actionnement du bouton ▲
- Les symboles ▲ et ♥ restent affichés jusqu'à réussite du calibrage ou remplacement du capteur fautif.

REMARQUE : le calibrage de plage peut échouer pour d'autres raisons que la fin de durée de service d'un capteur. Vérifier donc que la bouteille de calibrage contient assez de gaz, que le gaz n'a pas dépassé sa date d'expiration, que le bouchon de calibrage est bien en place, etc., et répéter le calibrage avant de remplacer le capteur.

3.9.3 Fin du calibrage

1. Fermer la valve sur le régulateur.
2. Retirer le bouchon de calibrage.

La procédure de calibrage ajuste la valeur pour les capteurs qui subissent avec succès le test de calibrage ; les valeurs restent inchangées pour les capteurs qui échouent. Comme du gaz résiduel peut être présent, il peut arriver que l'appareil passe brièvement en mode d'alarme d'exposition une fois la séquence de calibrage terminée.

4. Maintenance






Si une erreur survient pendant le fonctionnement, utiliser les codes d'erreur affichés pour déterminer les mesures appropriées à prendre.

AVERTISSEMENT

La réparation ou la modification du détecteur multigaz ALTAIR 4X, en dehors des procédures décrites dans ce manuel ou par toute personne autre que celle autorisée par MSA, est susceptible d'empêcher le fonctionnement correct de l'appareil. Utiliser exclusivement des pièces d'origine MSA lors des procédures de maintenance décrites dans ce manuel. La substitution de composants peut sérieusement nuire aux performances de l'appareil, altérer les caractéristiques de sécurité intrinsèque ou invalider les homologations.

LE NON-RESPECT DE CET AVERTISSEMENT PEUT ENTRAINER DES BLESSURES GRAVES, VOIRE MORTELLES.

4.1 Dépannage

PROBLÈME	DESCRIPTION	RÉACTION
ERROR TEMP	La température est inférieure à -40°F (-40°C) ou supérieure à 167°F (75°C)	Revenir à la page de température normale de l'appareil et le calibrer de nouveau. Contacter MSA
ERROR EE	Erreur de mémoire EEPROM	Contacteur MSA
ERROR PRG	Erreur de mémoire Flash	Contacteur MSA
ERROR RAM	Erreur de mémoire RAM	Contacteur MSA
ERROR UNK	Erreur inconnue	Contacteur MSA
 LOW BATTERY	Avertissement de batterie répété toutes les 15 secondes.	Mettre l'appareil hors service dès que possible et recharger la batterie
 BATTERY ALARM	Batterie entièrement déchargée.	L'appareil ne détecte plus de gaz. Mettre l'appareil hors service et recharger la batterie
SENSOR ERROR	Capteur absent	Vérifiez que le capteur est correctement installé et calibrez à nouveau. Contactez MSA si le problème persiste
L'instrument ne se met pas en marche	Piles déchargées	Chargez l'instrument
	Avertissement du capteur	Le capteur est proche de la fin de sa durée de service
 et 	Alarme du capteur	Le capteur a dépassé la limite de sa durée de service et ne peut pas être calibré. Remplacez le capteur et étalonnez à nouveau

4.2 Procédure de maintenance sous tension - remplacement et ajout d'un capteur

MISE EN GARDE

Avant de manipuler la carte de circuit imprimé, l'utilisateur doit être correctement relié à la terre ; sinon, des charges statiques risquent d'endommager l'électronique. Ces dommages ne sont pas couverts par la garantie. Des bandes et des kits de mise à la terre sont disponibles auprès des revendeurs de systèmes électroniques.

▲ AVERTISSEMENT

Retirer et réinstaller les capteurs avec précaution, en veillant à ne pas endommager les composants ; sinon, la sécurité intrinsèque de l'appareil risque d'être affectée, les valeurs affichées erronées et les personnes qui se fient à ce produit pour leur propre sécurité risquent de subir des blessures graves, voire mortelles.

Pour ajouter un capteur dans l'appareil qui n'est pas déjà équipé d'un jeu complet de capteurs, retirer d'abord le bouchon de capteur sur la face avant du logement de capteur jusqu'ici inutilisé.

▲ MISE EN GARDE

Pendant l'ouverture du boîtier de l'appareil, ne pas toucher les composants internes avec des objets ou outils métalliques/ conducteurs. L'appareil risque d'être endommagé.

1. Vérifier que l'appareil est éteint.
2. Retirer les quatre vis du boîtier et retirer l'avant du boîtier en notant soigneusement l'orientation du joint de capteur.
3. Retirer doucement le capteur à remplacer en le soulevant et l'éliminer de manière appropriée.
 - Retirer à l'aide des doigts uniquement le capteur de gaz toxiques, inflammables ou d'oxygène en le basculant doucement et en le tirant en position droite de son support.
4. Aligner avec précaution les broches de contact du capteur neuf par rapport aux logements sur la carte de circuit imprimée et appuyer pour les y insérer.

REMARQUE : Assurez-vous que la languette du capteur soit alignée avec la rainure en haut du support.

- Insérer le capteur de gaz toxique en le plaçant dans la partie gauche du logement de capteur.
 - Insérer le capteur d'O₂ en le plaçant dans la partie droite du logement de capteur.
 - Insérer le capteur de gaz inflammables en le plaçant dans au centre du logement de capteur.
 - S'il n'y a pas de capteur à installer, veiller à ce qu'un bouchon soit installé proprement à la place.
5. En cas de remplacement des filtres du capteur à cette occasion :

- Retirer avec précaution les anciens filtres en veillant à ne pas endommager l'intérieur du boîtier.
 - Sur les filtres neufs, retirer la protection de l'adhésif. Noter l'orientation correcte de chaque filtre, puis appliquer à l'intérieur de la face avant, la face adhésive contre le boîtier.
 - Appuyer sur le filtre pour le mettre en place en veillant à ne pas endommager sa surface.
6. Réinstaller le joint du capteur à l'avant du boîtier.
 - Veiller à installer correctement le joint du capteur.
 7. Remettre les vis en place.
 8. Mettez l'instrument sous tension. L'instrument détecte automatiquement qu'un nouveau capteur est installé et affiche l'écran « SENSOR DSCVRY » [exploration du capteur]. Si le nouveau capteur est le même que le capteur précédent, l'instrument démarre normalement. Passez à l'étape 10 et étalonnez l'instrument.
 9. Si le capteur installé n'est pas le même que pour la configuration précédente, l'instrument détecte automatiquement ce changement lorsqu'il est mis en marche avec l'affichage de « SENSOR CHANGE » [changement de capteur] sur l'écran, et il invite l'utilisateur à accepter ou rejeter le changement. « ACCEPT? » [accepter?] apparaît sur l'affichage. Le bouton de gauche ▼ accepte ou le bouton de droite ▲ rejette le changement. Passez à la configuration de capteur et mettez en marche le capteur approprié après avoir reçu l'invite de mot de passe. Se référer à la section 3.4.1 sur le réglage des capteurs pour plus de détails.
 10. Calibrer l'appareil une fois que les capteurs se sont stabilisés.

Laisser les capteurs se stabiliser au moins 30 minutes avant le calibrage.

▲ AVERTISSEMENT

Le calibrage est requis après l'installation d'un capteur ; sinon, l'appareil n'atteindra pas les performances prévues et les personnes qui comptent sur ce produit pour leur propre sécurité risquent de subir des blessures graves voire mortelles.

4.3 Nettoyage de l'appareil

Nettoyer régulièrement l'extérieur de l'instrument à l'aide d'un chiffon humide uniquement. Ne pas utiliser de détergents, car ceux-ci contiennent souvent des silicones risquant d'endommager le capteur à gaz inflammables.

4.4 Entreposage

Lorsque l'appareil n'est pas utilisé, le stocker dans un endroit sûr et à l'abri de l'humidité à une température comprise entre 65°F et 86°F (18 °C et 30 °C). Après le stockage, toujours vérifier le calibrage de l'appareil avant son utilisation.

4.5 Expédition

Emballer l'appareil dans sa boîte d'expédition originale avec un rembourrage adapté. Si la boîte originale n'est pas disponible, la remplacer par une boîte équivalente.

5. Caractéristiques techniques/Certificats

5.1 Caractéristiques techniques

POIDS	7,9 oz (appareil avec batterie et attache)			
DIMENSIONS (l x p x h)	4,4 x 3,00 x 1,37 pouces – sans attache de fixation			
ALARMES	Quatre alarmes DEL à gaz, une DEL d'état de charge, une alarme sonore et un vibreur.			
VOLUME DE L'ALARME SONORE	95 dB typique			
ÉCRAN	Écran LCD			
TYPE DE BATTERIE	Batterie Lithium-Polymère rechargeable. La batterie Lithium-Polymère ne doit pas être rechargée dans une zone explosible.			
AUTONOMIE DE L'APPAREIL	24 heures à 77°F (25 °C)			
DURÉE DE RECHARGEMENT	≤ 4 heures Tension de charge zone de sécurité max. Um = 6,7 volts C.C.			
PLAGE DE TEMPÉRATURE	14 °F à 1104 °F (-10 °C à 40 °C)			Plage de fonctionnement normale
	-4 à 122 °F (-20 à 50°C)			Plage de fonctionnement étendue
	50 °F à 95 °F (10 °C à 35 °C)			Pendant le rechargement
	-40 à 140 °F (-40 à 60 °C)			Plage de température ambiante de sécurité intrinsèque
PLAGE D'HUMIDITÉ	15 % – 90 % d'humidité relative, sans condensation ; 5 % – 95 % d'humidité relative par intermittence,			
PLAGE DE PRESSION ATMOSPHERIQUE	800 à 1200 mbar			
INDICE DE PROTECTION	IP 67			
MÉTHODES DE MESURE	Gaz inflammables : capteur catalytique O₂ et Gaz toxiques : capteur électrochimique			
PLAGE DE MESURE	Inflammables 0-100 %LIE (LEL) 0-5.00 % CH ₄	O₂ 0-30 % Vol.	CO 0-1999 ppm	H₂S 0-200 ppm

5.2 Seuils et points de consigne d'alarme réglés à l'usine

Capteur	Alarme BASSE	Alarme HAUTE	LECT (STEL)	MPT (TWA)	Valeur de consigne d'alarme min.	Valeur de consigne d'alarme max.	Valeurs auto-cal
LEL	10 % LEL	20 % LEL	--	--	5	60	58 %
O ₂	19,5 %	23,0 %	--	--	5	29	15,0 %
CO	25 ppm	100 ppm	100	25	15	1700	60 ppm
H ₂ S	10 ppm	15 ppm	15	10	5	175	20 ppm

Cet appareil n'est pas homologué pour être utilisé dans des atmosphères avec une teneur >21 % d'oxygène.

5.3 Certificats

Voir l'étiquette de l'appareil pour les homologations qui s'appliquent à votre unité spécifique.

États-Unis et Canada (hors mines)

Voir l'étiquette de l'appareil pour les homologations qui s'appliquent à votre unité spécifique.

Communauté européenne

Le produit ALTAIR 4 est conforme aux directives, normes ou documents uniformisés suivants :

Directive 94/9/EC (ATEX): II 1G Ex ia IIC T4, Ga IP67
(Zone 0 sans capteur de gaz combustible installé)

II 2G Ex d ia mb IIC T4 Gb IP67
(Zone 1 avec capteur de gaz combustible installé)

I M1 Ex ia I Ma (Zone 0)

Ta = -40 °C à +60 °C

EN60079-29-1 ATEX Certification de performance des gaz inflammables pour les groupes I et II

EN50104 ATEX Certification de performance d'oxygène

CE 0080

Directive 2004/108/EEC (EMC): EN50270:2007 Type 2, EN61000-6-3:2007

Australia/New Zealand Test Safe Australia

Ex ia sa I IP67 (Zone 0)

Ex ia sa IIC T4 IP67 (Zone 0)

Ta = -40 °C à +60 °C

IECEX TestSafe Australia

Ex ia I IP67 (Zone 0)

Ex ia mb d IIC T4 IP67 (Zone 1) - Lorsque le capteur de gaz combustible XCell est installé

Ex ia IIC T4 IP67 (Zone 0) - Lorsque le capteur de gaz combustible XCell n'est pas installé

Ta = -40 °C à +60 °C

Caractéristiques de performances

5.4.1 Gaz inflammable

Plage	0 à 100 % LIE (LEL) ou 0 à 5 % CH ₄
Résolution	1 % LEL ou 0,05 % vol CH ₄
Reproductibilité	3 % de la LIE (LEL) , 0 % à 50 % de la valeur LIE (LEL) affichée ou 0,15 % CH ₄ , 0,00 % à 2,50 % CH ₄ (plage de température normale)
	5 % de la LIE (LEL) , 50 % à 100 % de la valeur LIE (LEL) affichée ou 0,25 % CH ₄ , 2,50 % à 5,00 % CH ₄ (plage de température normale)
	5 % de la LIE (LEL) , 0 % à 50 % de la valeur LIE (LEL) affichée ou 0,25 % CH ₄ , 0,00 % à 2,50 % CH ₄ (plage de température étendue)
	8 % de la LIE (LEL) , 50 % à 100 % de la valeur LIE (LEL) affichée ou 0,40 % CH ₄ , 2,50 % à 5,00 % CH ₄ (plage de température étendue)
Temps de réponse (typique)	90 % de la valeur finale affichée < 15 secondes (pentane) < 10 secondes (méthane) (plage de température normale)

5.4.2 Oxygène

Le capteur d'oxygène dispose d'une compensation de température intégrée. Toutefois, en cas d'écart de température important, la valeur affichée sur le capteur d'oxygène peut changer. Calibrer l'appareil à zéro à une température de 86°F (30 °C) de la température du lieu de travail pour le moindre effet.

Plage	de 0 à 30 vol.% O ₂
Résolution	0,1 vol.% O ₂
Reproductibilité	0,7 vol.% O ₂ pour 0 à 30 vol.% O ₂
Temps de réponse (typique)	90 % de la valeur finale affichée < 10 secondes (plage de température normale)
Sensibilité croisée du capteur d'oxygène	Le capteur d'oxygène n'a pas de sensibilité croisée courante.

5.4.3 Monoxyde de carbone

Plage	de 0 à 1999 ppm CO
Résolution	1 ppm CO, 6 à 1999 ppm H ₂ S
Reproductibilité	± 5 ppm CO ou 10 % de la valeur affichée, la valeur la plus grande des deux (plage de température normale) 0 à 300 ppm CO,)
	± 10 ppm CO ou 20 % de la valeur affichée, la valeur la plus grande des deux (plage de température étendue)
Temps de réponse (typique)	90 % de la valeur finale affichée < 15 secondes (plage de fonctionnement normale)

GAZ DE TEST APPLIQUÉ	CONCENTRATION (PPM) APPLIQUÉE	% DE SENSIBILITÉ CROISÉE DU CANAL CO
Sulfure d'hydrogène (H ₂ S)	40	0
Monoxyde de carbone (CO)	100	100
Oxyde nitrique (NO)	50	84
Dioxyde d'azote (NO ₂)	11	0
Dioxyde de soufre (SO ₂)	9	-4
Chlore (Cl ₂)	10	0
Cyanure d'hydrogène (HCN)	30	-5
Ammoniac (NH ₃)	25	0
Toluène	53	0
Alcool isopropylique	100	-8
Hydrogène (H ₂)	100	48

5.4.4 Hydrogène sulfuré

Plage	de 0 à 200 ppm H ₂ S
Résolution	1 ppm H ₂ S, 3 à 200 ppm H ₂ S
Reproductibilité	± 2 ppm H ₂ S ou 10 % de la valeur affichée, la valeur la plus grande des deux (plage de température normale) ± 5 ppm H ₂ S ou 10 % de la valeur affichée, la valeur la plus grande des deux (plage de température étendue)
Temps de réponse (typique)	90 % de la valeur finale affichée < 15 secondes (plage de fonctionnement normale)

GAZ DE TEST APPLIQUÉ	CONCENTRATION (PPM) APPLIQUÉE	% DE SENSIBILITÉ CROISÉE DU CANAL H ₂ S
Sulfure d'hydrogène (H ₂ S)	40	100
Monoxyde de carbone (CO)	100	1
Oxyde nitrique (NO)	50	25
Dioxyde d'azote (NO ₂)	11	-1
Dioxyde de soufre (SO ₂)	9	14
Chlore (Cl ₂)	10	-14
Cyanure d'hydrogène (HCN)	30	-3
Ammoniac (NH ₃)	25	-1
Toluène	53	0
Alcool isopropylique	100	-3
Hydrogène (H ₂)	100	0

5.5 Brevets concernant le capteur XCell

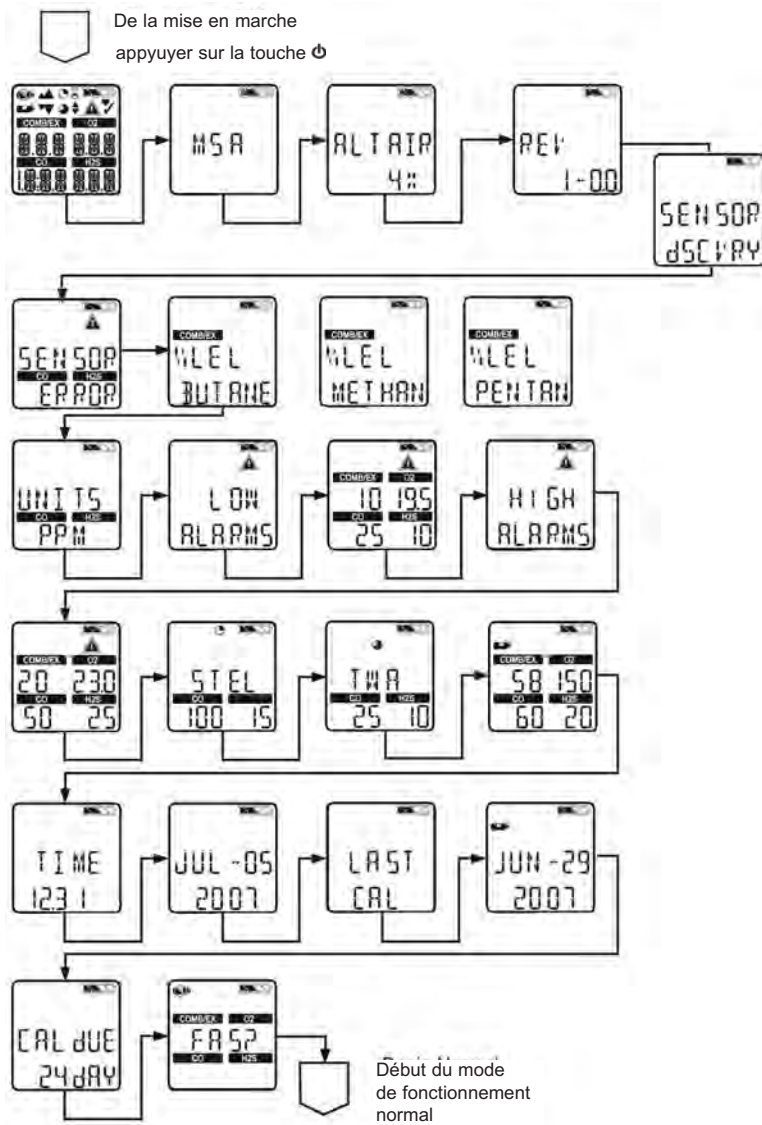
1. Gaz inflammables (Réf. 10106722) : brevet en instance
2. Oxygène (Réf. 10106729) : brevet en instance
3. Monoxyde de carbone / Sulfure d'hydrogène (Réf. 10106725) : brevet en instance

6. Informations pour les commandes

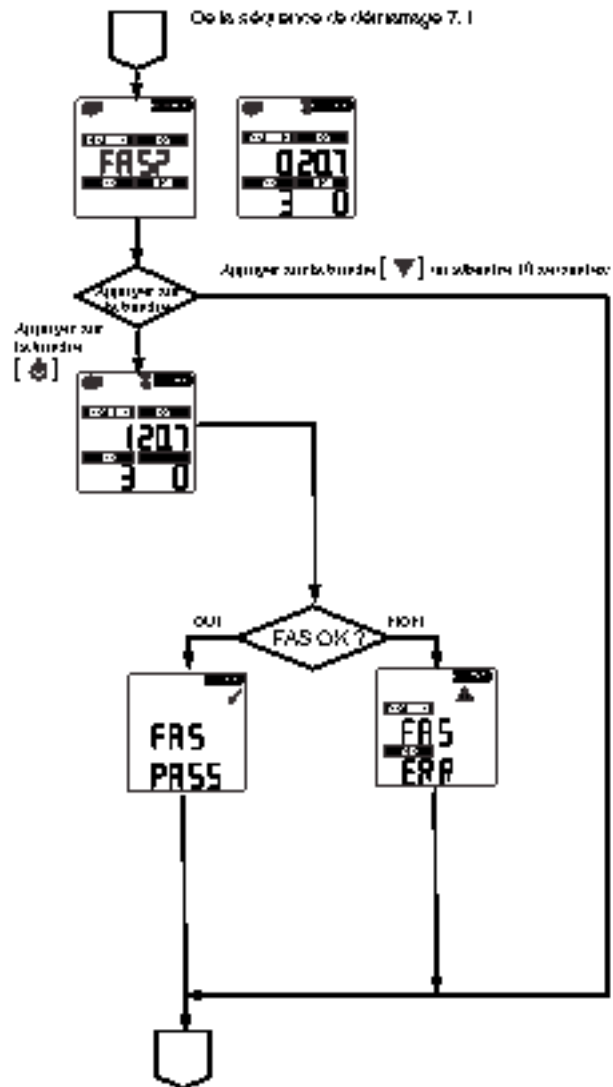
DESCRIPTION	RÉFÉRENCE
Pince SS	10069894
Mélange quatre gaz 34 l (1,45 % CH ₄ , 15 % O ₂ , 60 ppm CO, 20 ppm H ₂ S)	10048280
Mélange quatre gaz 58 l (1,45 % CH ₄ , 15 % O ₂ , 60 ppm CO, 20 ppm H ₂ S)	10045035
Sonde à pompe universelle (UL)	10046528
Sonde à pompe universelle (CSA)	10055576
Sonde à pompe universelle (AUS)	10047594
Sonde à pompe universelle (ATEX)	10047596
Kit de calibrage (bouchon, tuyau, connecteur)	10089321
Alimentation électrique Amérique du Nord avec connecteur de charge	10092233
Alimentation électrique mondiale avec connecteur de charge	10092936
Ensemble de socle avec connecteur de charge (Amérique du Nord)	10087368
Ensemble de socle avec connecteur de charge (Australia)	10089487
Ensemble de socle avec connecteur de charge (Europe)	10086638
Ensemble de socle pour charge sur véhicule	10095774
CD-Rom du logiciel MSA Link	10088099
Adaptateur JetEye IR avec connecteur USB	10082834
Kit de remplacement de capteurs de gaz inflammables	10106722
Kit de remplacement de capteurs de gaz O ₂	10106729
Kit de remplacement de capteur de gaz toxiques CO/H ₂ S	10106725
Boîtier avant avec filtres à poussière intégrés (charbon)	10110030
Boîtier avant avec filtres à poussière intégrés (phosphorescents)	10110029
Carte principale avec ensemble batterie	10106621
Ensemble bâti écran LCD (bâti, écran LCD, bandes zébrées, vis)	10110061
Joint de capteurs, vis d'assemblage (4x), vis autotaraudeuses (2x)	10110062
Manuel ALTAIR 4X sur CD	10106623

7. Annexe – Organigrammes

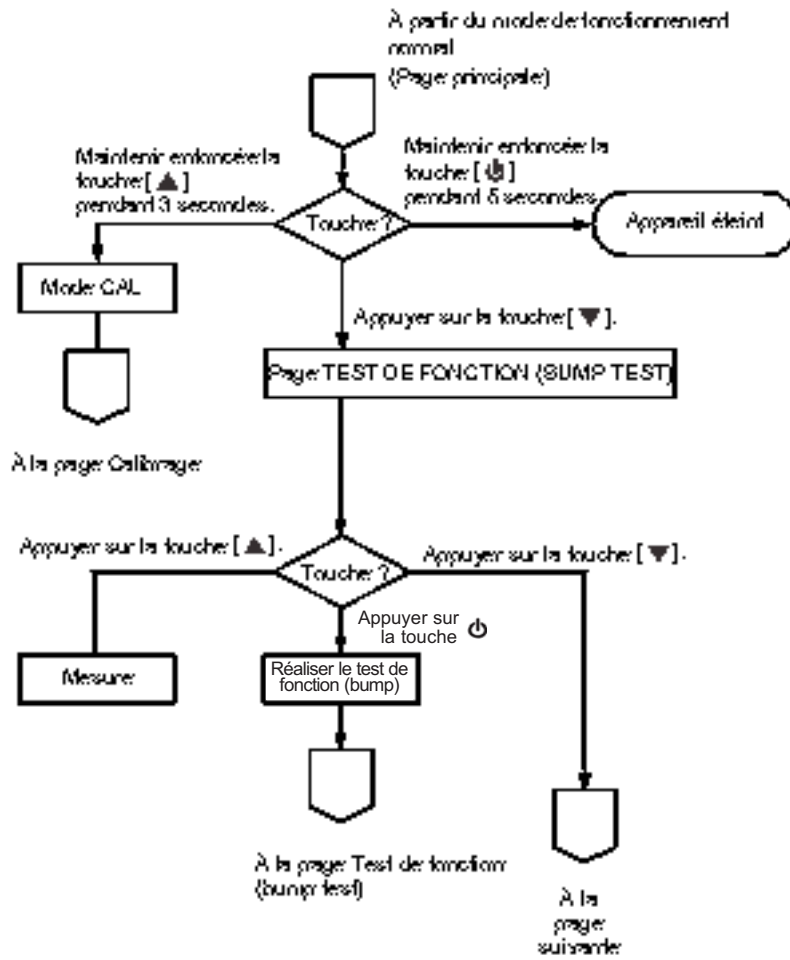
7.1. Séquence de démarrage (mise en marche)

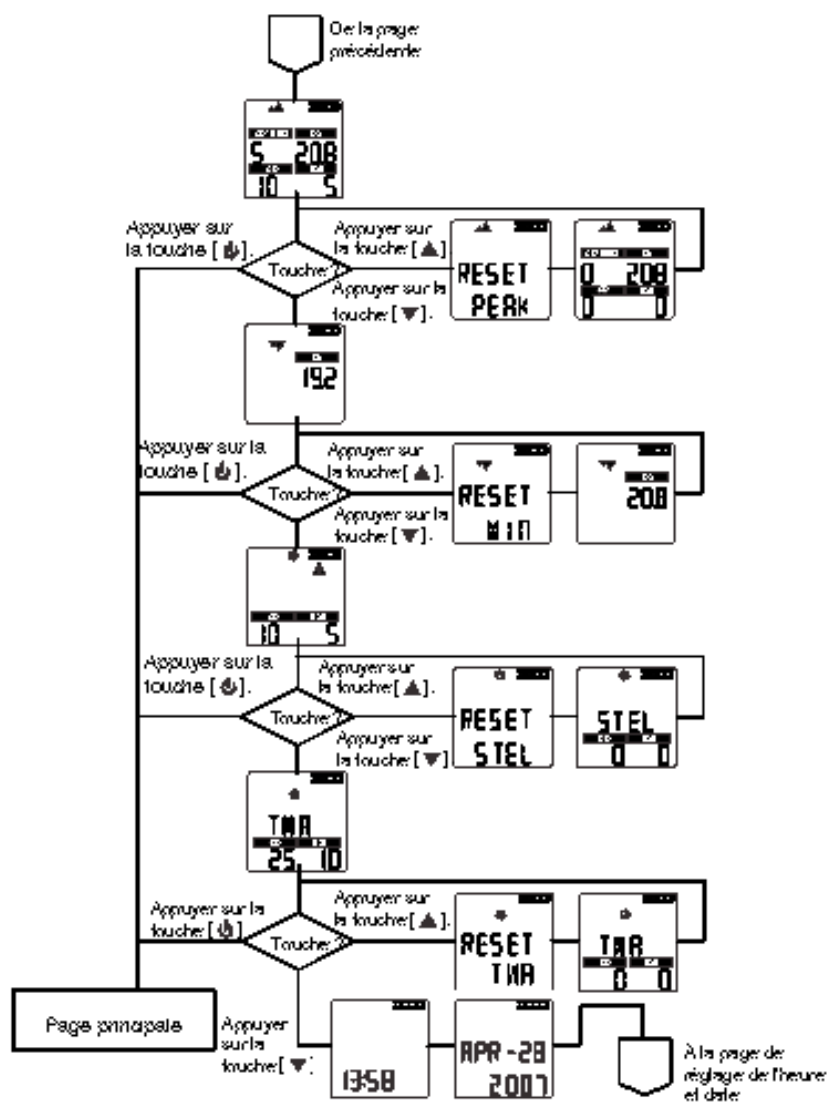


7.2 Réglage à l'air frais

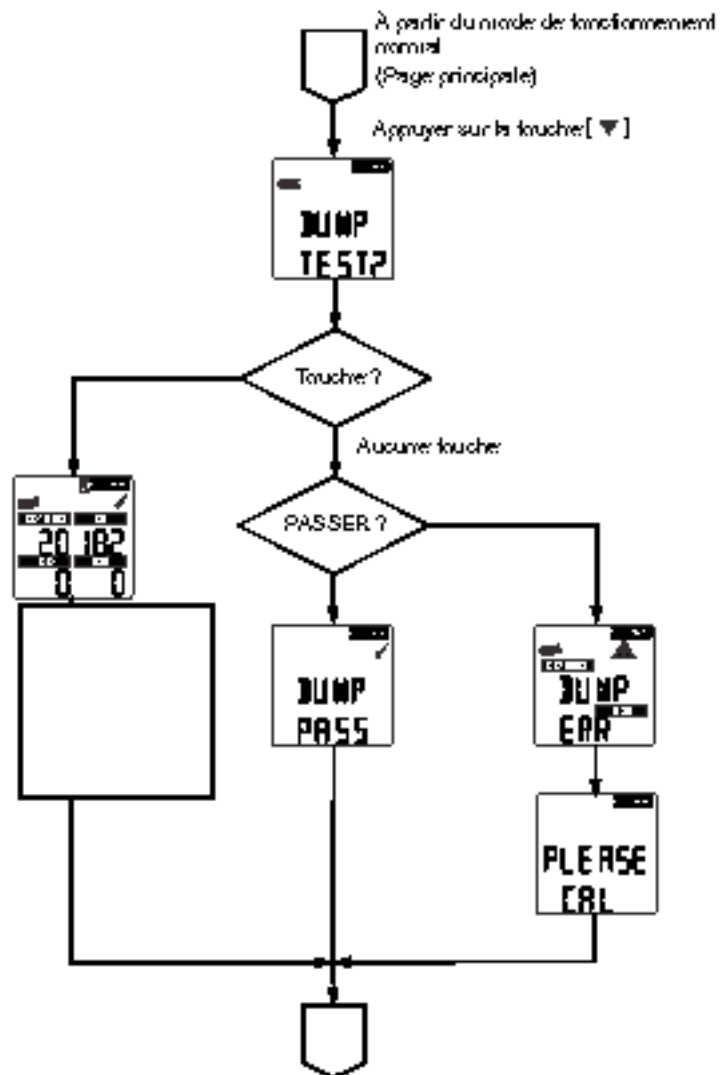


7.3 Commandes Reset

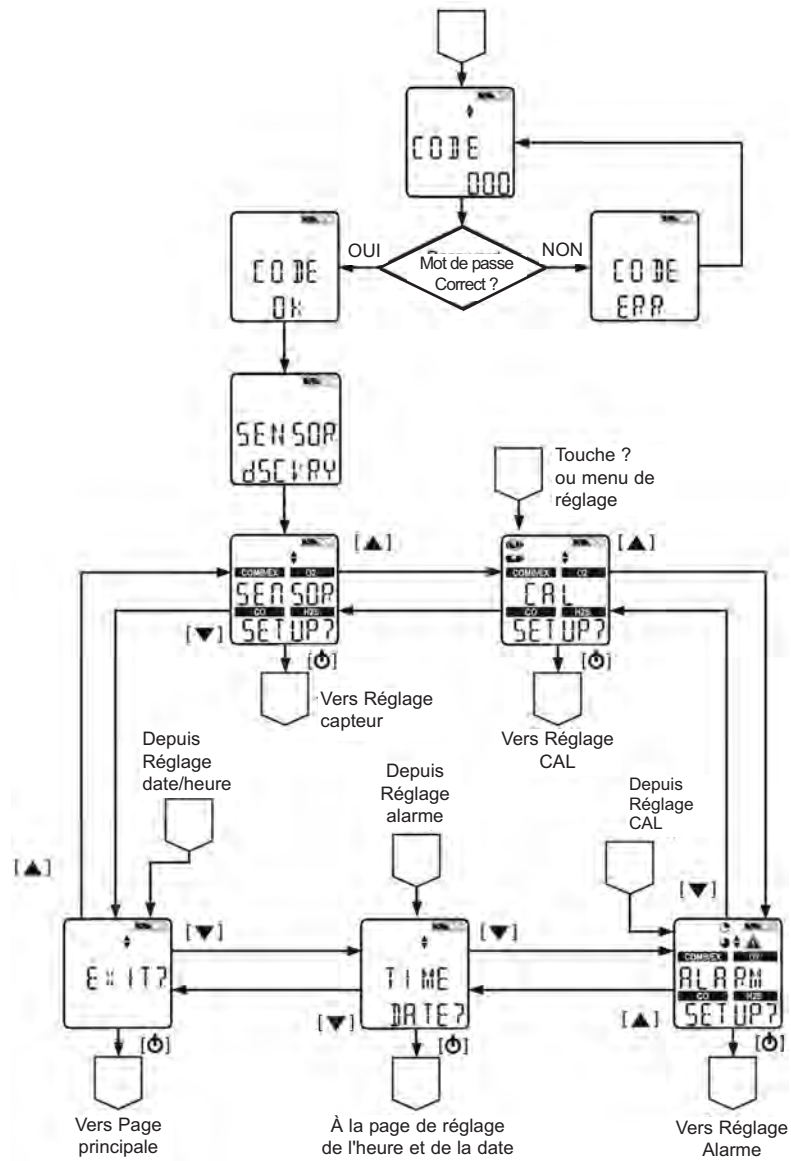




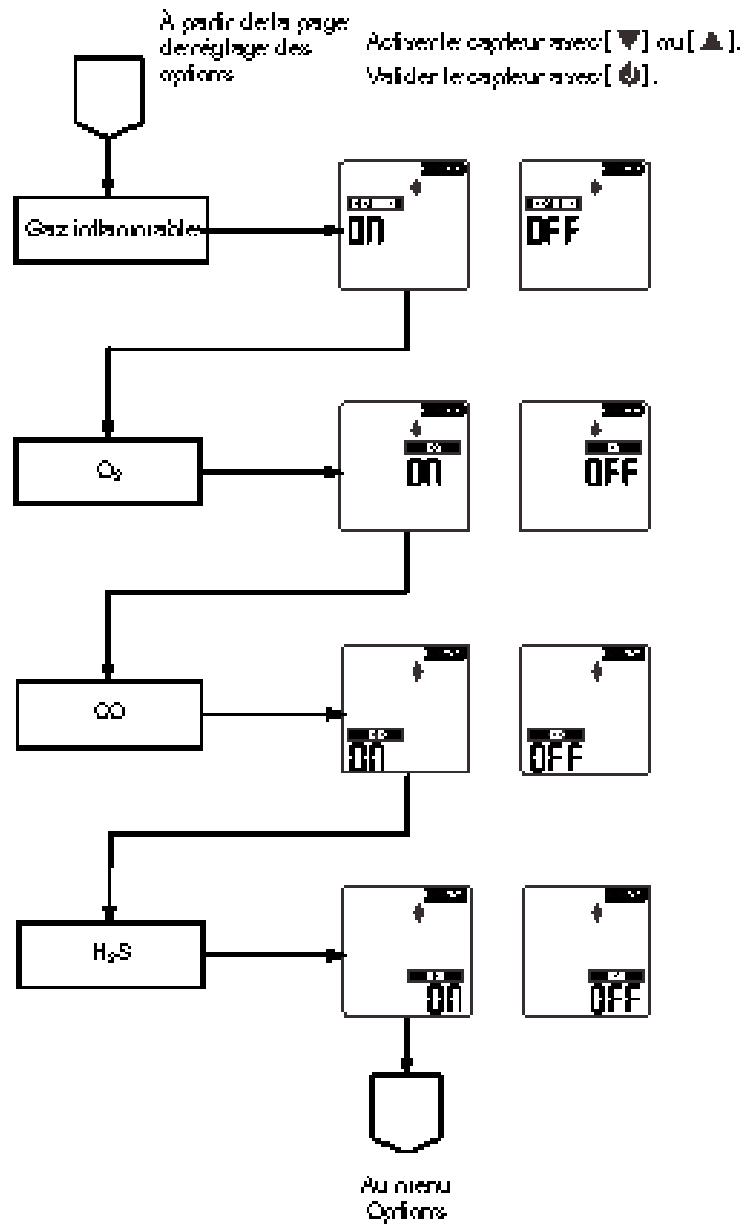
7.4 Test de fonction (bump test)



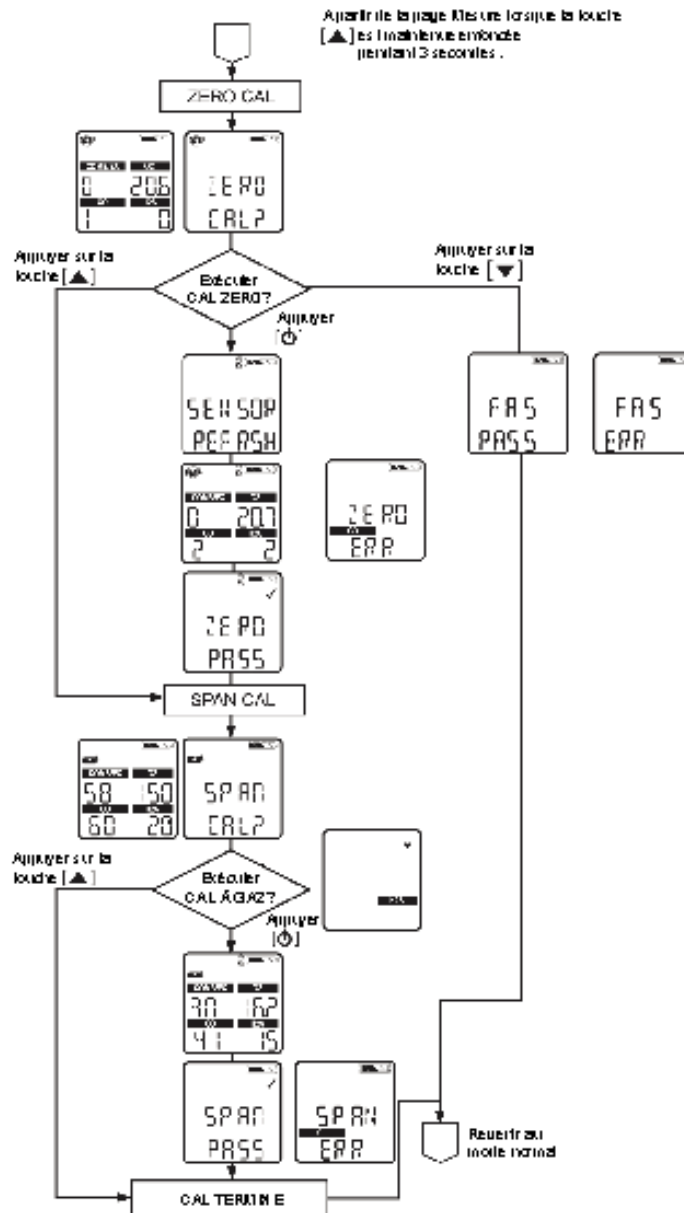
7.5 Réglage des options



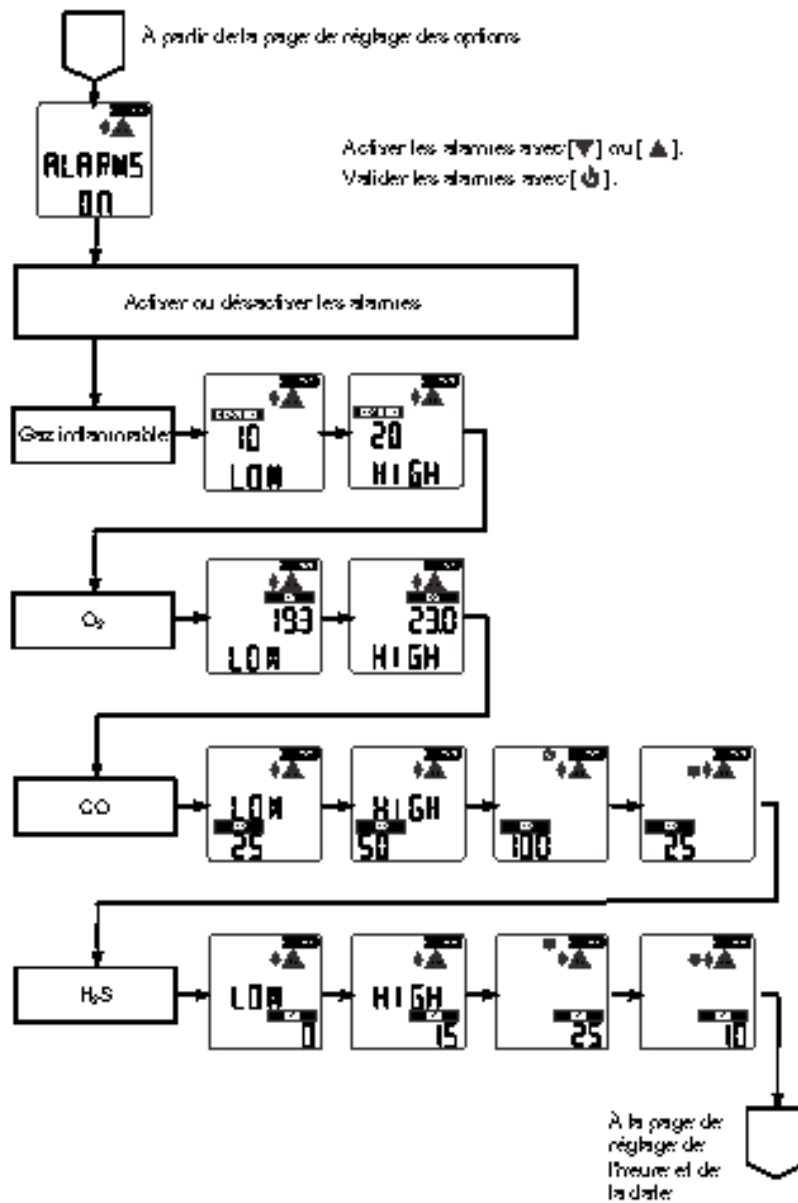
7.6 Réglage des capteurs



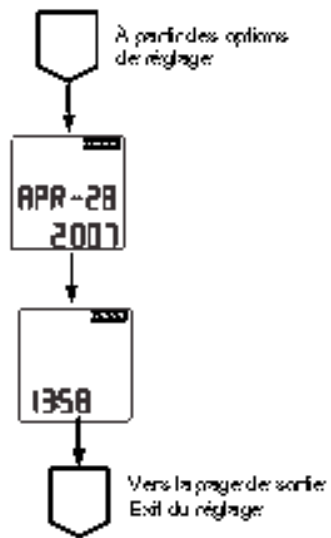
7.7 Calibrages



7.8 Réglage des alarmes



7.9 Réglage de l'heure et la date



Detector multigases ALTAIR® 4X

Manual de funcionamiento



Para comunicarse con su localización de aprovisionamiento más cercana en América del Norte, llame sin tarifa al 1-800-MSA-2222. Para comunicarse con MSA International, marque el 1-724-776-8626 ó 1-800-MSA-7777.

© MINE SAFETY APPLIANCES COMPANY 2011 - Se reservan todos los derechos.

Este manual puede obtenerse en la Internet en el sitio: www.msanet.com

Fabricado por

MSA NORTH AMERICA

1000 Cranberry Woods Drive, Cranberry Township, Pennsylvania 16066

ADVERTENCIA

ESTE MANUAL DEBE LEERSE DETENIDAMENTE POR TODOS AQUELLOS INDIVIDUOS QUE TENGAN O QUE VAYAN A TENER LA RESPONSABILIDAD DE USAR O DARLE MANTENIMIENTO AL PRODUCTO. Como con cualquier equipo complejo, este instrumento sólo funcionará según su diseño si se utiliza y da servicio de acuerdo con las instrucciones del fabricante. DE LO CONTRARIO, EL EQUIPO PUEDE DEJAR DE FUNCIONAR CONFORME A SU DISEÑO Y LAS PERSONAS CUYA SEGURIDAD DEPENDE DE ESTE PRODUCTO PUEDEN SUFRIR LESIONES PERSONALES GRAVES O LA MUERTE.

Las garantías que Mine Safety Appliances Company da a este producto quedarán invalidadas si el mismo no se utiliza y se le da mantenimiento de acuerdo con las instrucciones que aparecen en su manual. Protéjase personalmente y proteja a los demás siguiendo dichas instrucciones. Exhortamos a nuestros clientes a que nos escriban o llamen si tienen dudas sobre el equipo antes de usarlo o para obtener cualquier información adicional relacionada con el uso o las reparaciones del mismo.

1. Seguridad del instrumento	1-1
1.1. Uso correcto	1-1
1.2. Medidas preventivas y de seguridad	1-3
Observe el mantenimiento adecuado de la batería	1-4
Sea consciente de las condiciones ambientales	1-4
Esté al tanto de los procedimientos para el manejo de equipos electrónicamente sensitivos	1-4
Sea consciente de las regulaciones del producto	1-5
Sea consciente de las garantías del producto	1-5
1.3. Garantía	1-5
1.3.1 Garantía	1-6
1.3.2 Recurso exclusivo	1-6
1.3.3 Exclusión de daños indirectos	1-6
2. Descripción	2-1
2.1. Presentación del instrumento	2-1
Figure 2-1. Vista del instrumento	2-1
2.2 Interfaces de hardware del dispositivo	2-2
2.2.1 Definiciones de los botones	2-2
2.2.2 Definiciones de los LED	2-3
2.2.3 Alarma de vibración	2-3
2.2.4 Luz de fondo	2-3
2.2.5 Bocina	2-3
2.2.6 Indicadores en pantalla	2-4
Figure 2-2. Pantalla y símbolos gráficos	2-4
2.2.7 Indicador de carga de la batería	2-5
Advertencia de batería	2-5
Apagado de la batería	2-6
Carga de la batería	2-6
Para cambiar el instrumento	2-7
2.2.8 Señal acústica de funcionamiento	2-7
2.3 Visualización de pantallas opcionales	2-7
2.3.1 Modalidad de funcionamiento	2-8
2.3.2 Valores máximos (página MÁX.)	2-8
2.3.3 Valores mínimos (página MÍN.)	2-8
2.3.4 Límites de exposición a corto plazo (página STEL)	2-9
Ejemplos de cálculos STEL:	2-9

2.3.5 Media ponderada en el tiempo (página TWA) . . .	2-9
Para reiniciar la TWA	2-10
Ejemplos de cálculos TWA	2-10
2.3.6 Visualización de la hora	2-10
2.3.7 Visualización de la fecha	2-10
2.3.8 Página de última calibración	2-11
2.3.9 Página de vencimiento de calibración	2-11
2.3.10 Activación de alerta de movimiento	2-11
2.4 Alarma de ausencia del sensor	2-11
2.5 Advertencia de Vida del Sensor	2-11
2.6 Indicador de Vida del Sensor	2-12
2.7 Monitoreo de gases tóxicos	2-12
2.8 Monitoreo de la concentración de oxígeno	2-13
2.9 Monitoreo de gases combustibles	2-14

3. Funcionamiento 3-1

3.1. Factores medioambientales	3-1
Cambios de presión	3-1
Cambios de humedad	3-1
Cambios de temperatura	3-1
3.2. Encendido del instrumento y configuración de aire limpio	3-2
3.2.1 Pantallas de visualización durante el encendido	3-3
Autodiagnóstico del instrumento	3-3
Nombre del instrumento y versión de software	3-3
Tipo de gas combustible	3-3
Unidades de gas tóxico	3-3
Valores preestablecidos de alarma	3-4
Valores preestablecidos de STEL y TWA	3-4
Valores de calibración	3-4
Hora y fecha	3-4
Fecha de última calibración y vencimiento de calibración	3-5
Configuración de aire limpio (FAS)	3-5
3.2.2 Configuración de aire limpio (FAS)	3-5
3.3. Modalidad de medición (funcionamiento normal)	3-7
Página de Funcionamiento	3-7
Figura 3-1. Configuración de aire limpio	3-7
Página de Máximo	3-7

Página de Mínimo	3-7
Página STEL	3-7
Página TWA	3-8
Página hora/fecha	3-8
Alerta de movimiento (opcional)	3-8
3.4 Configuración del instrumento	3-8
3.4.1 Configuración de los sensores	3-10
Figura 3-2. Configuración de sensor	3-10
3.4.2 Configuración de la calibración	3-10
3.4.3 Configuración de alarma	3-10
Figura 3-3. Configuración de la calibración	3-10
Figura 3-4. Configuración de alarma	3-11
3.4.4 Configuración de hora y fecha	3-13
3.5 Registro de datos	3-13
Conexión del instrumento a la PC	3-13
Figure 3-5. Configuración de hora y fecha	3-13
3.6 Pruebas de funcionamiento del instrumento	3-14
Prueba de alarma	3-14
3.7 LED de seguridad	3-14
3.8 Prueba de funcionamiento (Bump Test)	3-14
3.8.1 Equipo.	3-15
3.8.2 Realizar comprobación de funcionamiento	3-15
3.9 Calibración	3-17
3.9.1 Calibración Zero (a cero)	3-17
3.9.2 Calibración Span (de intervalo)	3-18
3.9.3 Finalización de calibración	3-21
3.9.4 Falla de autocalibración	3-21
4. Mantenimiento	4-1
4.1 Resolución de problemas	4-2
4.2 Procedimiento de mantenimiento en vivo - Reemplace y agregue un sensor	4-2
4.3 Limpieza del instrumento	4-4
4.4 Almacenamiento	4-5
4.5 Envío	4-5

5. Certificaciones/especificaciones técnicas . .5-1

5.1 Especificaciones técnicas	5-1
5.2 Umbrales de alarma y puntos de fijación establecidos de fábrica	5-2
5.3 Certificaciones	5-2
Especificación de rendimiento	5-3
5.4.1 Gas combustible	5-3
5.4.2 Oxígeno	5-3
5.4.3 Monóxido de carbono	5-4
5.4.4 Ácido sulfhídrico	5-5
5.5 Patentes de Sensor XCell®	5-5

6. Información de pedidos6-1

7. Apéndice – Diagramas7-1

7.1. Secuencia de encendido (Power ON)	7-1
7.2 Configuración de aire limpio	7-2
7.3 Controles de pantalla de reinicio	7-3
7.4 Prueba de funcionamiento (Bump Test)	7-5
7.5 Configuración de opciones	7-6
7.6 Configuración de sensor	7-7
7.7 Calibraciones	7-8
7.8 Configuración de alarma	7-9
7.9 Configuración de hora y fecha	7-10

1. Seguridad del instrumento

1.1. Uso correcto

El detector multigases ALTAIR 4X debe ser utilizado por personal calificado y debidamente capacitado. Ha sido diseñado para realizar un monitoreo de riesgo para:

- evaluar la exposición potencial de un trabajador a vapores y gases tóxicos, así como también el nivel bajo de oxígeno.
- determinar el monitoreo de las cantidades de vapor y de gas apropiadas para un lugar de trabajo.

El detector multigases ALTAIR 4X puede estar equipado para detectar:

- gases combustibles y determinados vapores de combustible,
- atmósferas ricas o deficientes en oxígeno,
- gases tóxicos específicos para los cuales se instala un sensor.

NOTA: Si bien el instrumento puede detectar hasta el 30 % de oxígeno en el aire ambiente, se aprueba para un uso de hasta el 21 % de oxígeno solamente.

▲ ADVERTENCIA

Lea y siga las instrucciones detenidamente.

- **Realice la prueba de funcionamiento antes del uso diario y ajústela de ser necesario.**
- **Realice una prueba de funcionamiento con mayor frecuencia si se expone el aparato a siliconas, silicatos, compuestos que contengan plomo, sulfuro de hidrógeno o altos niveles de contaminación.**
- **Compruebe la calibración nuevamente si la unidad está sujeta a un impacto físico.**
- **Utilícelo únicamente para detectar los gases/vapores para los que se instala un sensor.**
- **No lo utilice para detectar polvos ni nieblas combustibles.**
- **Asegúrese que haya oxígeno adecuado presente para las lecturas exactas de combustible (>10% O₂).**
- **No obstruya los sensores.**

- **Haga que una persona debidamente calificada y capacitada interprete los valores indicados en el instrumento.**
- **No recargue la batería polímero de Li en una atmósfera combustible.**
- **No altere ni modifique el instrumento.**

EL USO INCORRECTO PUEDE CAUSAR GRAVES LESIONES O INCLUSO LA MUERTE.

NOTA: Se ha probado este equipo y se ha determinado que, en conformidad con la parte 15 de las Reglas FCC, cumple con los límites para dispositivos digitales Clasificación A. Estos límites están diseñados para proporcionar una protección razonable contra interferencias dañinas cuando el equipo se opera en un entorno comercial. Este equipo genera, usa y puede radiar energía de radiofrecuencia y, si no se instala y usa en conformidad con el manual de instrucciones, puede causar interferencias dañinas a las comunicaciones de radio. Es probable que la operación de este equipo en un área residencial cause interferencias dañinas y en tal caso el usuario estará obligado a corregir las interferencias a costa suya.

⚠ ADVERTENCIA

En conformidad con CISPR 22, éste es un producto clasificación A. En un entorno doméstico, este producto puede causar interferencia de radio, y en tal caso el usuario puede estar obligado a seguir las medidas adecuadas.

Este dispositivo digital Clasificación A cumple con ICES-003 de Canadá.

Para usuarios en Australia / Nueva Zelanda:

⚠ ADVERTENCIA

Este es un producto de Clase A. En un entorno doméstico, este producto podrá causar interferencia radial, en cuyo caso, el usuario podrá verse obligado a tomar las medidas adecuadas.

1.2. Medidas preventivas y de seguridad

⚠ ADVERTENCIA

Revise detenidamente las precauciones y limitaciones de seguridad antes de comenzar a utilizar este aparato. El uso incorrecto puede causar graves lesiones o incluso la muerte.

- Comprobación de función (consulte la sección 3.6) antes del uso diario. MSA recomienda realizar una inspección de rutina antes de su uso diariamente.
- Realice la prueba de funcionamiento (ver la sección 3.8) antes del uso diario para verificar el funcionamiento correcto del instrumento. El instrumento debe pasar la prueba de funcionamiento. Si el instrumento falla la prueba realice una calibración (consulte la sección 3.9) antes de usar el instrumento.
- Realice una prueba de funcionamiento con mayor frecuencia si la unidad se somete a impactos físicos o se expone a altos niveles de contaminantes. Asimismo, realice una prueba de funcionamiento con mayor frecuencia si la atmósfera probada contiene los materiales siguientes, los cuales podrían desensibilizar el sensor de gases combustibles y bajar sus lecturas:
 - Siliconas orgánicas
 - Silicatos
 - Compuestos que contienen plomo
 - Exposiciones a sulfuro de hidrógeno superiores a 200 ppm o superiores a 50 ppm durante un minuto.
- La concentración mínima de un gas combustible en el aire que se pueda inflamar se define como límite inferior de explosividad (LEL, por sus siglas en inglés). Una lectura de gas combustible de "XXX" indica que la atmósfera es superior al 100 % de LEL o a 5,00 % por vol. de CH₄ respectivamente y existe riesgo de explosión. Aléjese inmediatamente de la zona de peligro.
- No utilice el detector multigases ALTAIR 4X para probar gases tóxicos o combustibles con las siguientes atmósferas dado que podría obtener lecturas erróneas:
 - Atmósferas ricas o deficientes en oxígeno,
 - Atmósferas reductoras
 - Escapes de hornos

- Entornos inertes
- Atmosferas que contienen polvo/humedad combustible en el aire.
- No utilice el detector multigases ALTAIR 4X para pruebas de gases combustibles en atmosferas que contengan vapores procedentes de liquidos con un alto punto de inflamación (superior a 38 °C, 100 °F) ya que puede producir lecturas erróneamente bajas.
- No obstruya las aberturas de los sensores dado que puede producir lecturas erróneas. No presione el frente de los sensores, ya que puede dañarlos y producir lecturas erróneas. No utilice aire comprimido para limpiar los orificios de los sensores, puesto que la presión puede dañarlos.
- Deje el tiempo suficiente para que el aparato pueda mostrar una lectura correcta. Los tiempos de respuesta varían dependiendo del tipo de sensor utilizado (consulte la sección 5.4, "Especificaciones del rendimiento").
- Toda la información y todos los valores indicados en el instrumento deben ser interpretados por una persona capacitada y calificada en la interpretación de valores del instrumento según el entorno específico, la práctica industrial y los límites de exposición.

Riesgos de explosión: No recargue el instrumento en un área peligrosa.

Observe el mantenimiento adecuado de la batería

Utilice sólo los cargadores de baterías suministrados por MSA para utilizarse con este instrumento; otro tipo de cargadores puede dañar las baterías y la unidad. Deseche de acuerdo con las normas de salud y seguridad locales. El uso del sistema de prueba automatizado GALAXY™ es un método alternativo aprobado para la carga de instrumentos ALTAIR 4X.

Sea consciente de las condiciones ambientales

Una variedad de factores medioambientales puede influir en los valores de lectura de los sensores, incluyendo cambios de presión, humedad y temperatura.

Los cambios de humedad y presión también influyen en la cantidad de oxígeno real presente en la atmósfera.

Esté al tanto de los procedimientos para el manejo de equipos electrónicamente sensitivos

El instrumento contiene componentes sensibles a la descarga electrostática. No abra ni repare el instrumento sin protección apropiada contra la descarga electrostática (ESD). La garantía no cubre los daños causados por descargas electrostáticas.

Sea consciente de las regulaciones del producto

Siga todas las regulaciones nacionales relevantes correspondientes al país de uso.

Sea consciente de las regulaciones de garantía

Todas las garantías propuestas por Mine Safety Appliances Company con respecto al producto quedarán anuladas si no se utiliza o se realiza el mantenimiento de acuerdo con las instrucciones descritas en este manual. Protéjase a sí mismo y a los demás siguiendo las instrucciones al pie de la letra. Le recomendamos ponerse en contacto por escrito o vía telefónica respecto a este equipo antes de utilizarlo o para cualquier información adicional relativa al uso o mantenimiento.

1.3. Garantía

ARTÍCULO	PERÍODO DE GARANTÍA
Chasis y sistema electrónico	Tres años
Todos los sensores, a menos que se especifique lo contrario	Tres años

1.3.1 Garantía

La garantía no cubre filtros, fusibles, etc. Ciertos otros accesorios no especificados aquí podrían tener diferentes periodos de garantía. Esta garantía es válida sólo si el producto se mantiene y es usado de acuerdo con las instrucciones y/o recomendaciones del vendedor.

El vendedor queda libre de todas las obligaciones con esta garantía en caso de que se hagan reparaciones o modificaciones por personas ajenas a su personal autorizado o personal de servicio o si el reclamo contra la garantía se debe al abuso físico o al mal uso del producto. Ningún agente, empleado o representante tiene autoridad alguna de comprometer al vendedor a ninguna declaración, representación o garantía concerniente a este producto. El vendedor no garantiza los componentes o accesorios en cuestión no manufacturados por el vendedor pero transferirá al comprador todas las garantías del fabricante de estos componentes.

ESTA GARANTÍA ESTÁ CONCEDIDA EXPRESAMENTE EN LUGAR DE CUALQUIER OTRA GARANTÍA, IMPLÍCITA O ESTATUARIA, Y ESTÁ LIMITADA EstrictAMENTE A LOS TÉRMINOS AQUÍ ESPECIFICADOS. EL VENDEDOR NO SE HACE RESPONSABLE DE NINGUNA GARANTÍA DE MERCADO NI DE SU APTITUD PARA UN PROPÓSITO EN PARTICULAR.

1.3.2 Recurso exclusivo

Se acuerda expresamente que la reparación única y exclusiva del comprador por la violación de la garantía anterior, por cualquier conducta malintencionada del vendedor, o por cualquier otra causa de acción, debe ser el reemplazo con opción del vendedor, de cualquier equipo o pieza que después de la examinación del vendedor se demuestre que está defectuosa.

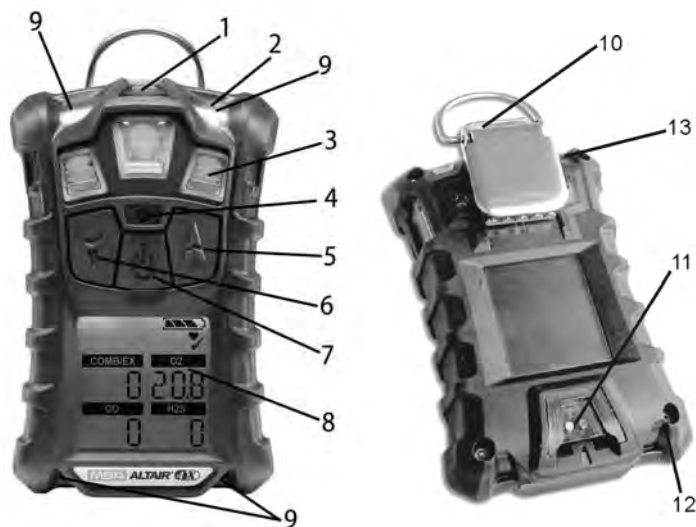
El reemplazo del equipo o de las piezas será provisto sin costo alguno para el comprador, F.O.B. Planta del vendedor. Si el vendedor no cumple satisfactoriamente el reemplazo de cualquier equipo o pieza defectuosos, no debe ser motivo para que la reparación establecida aquí falle en su fin esencial.

1.3.3 Exclusión de daños indirectos

El comprador entiende específicamente y está de acuerdo de que bajo ninguna circunstancia el vendedor será considerado responsable en relación al comprador por daños o pérdidas económicos, especiales, a consecuencia o incidentales de cualquier tipo, incluso pero no limitado a la pérdida de ganancias anticipadas y cualquier pérdida causada por motivo de la no operación de los productos. Esta exclusión se aplica a reclamos por la violación de garantía, conducta malintencionada o cualquier otra causa de acción en contra del vendedor.

2. Descripción

2.1. Presentación del instrumento



- | | | | |
|---|--|----|----------------------------|
| 1 | Comunicación MSA Link | 8 | Pantalla |
| 2 | LED (diodo electroluminiscente) de seguridad (verde) y de falla (amarillo) | 9 | LEDs de alarma (4) |
| 3 | Entradas del sensor | 10 | Clip |
| 4 | Bocina | 11 | Conexión de carga |
| 5 | Botón ▲ | 12 | Tuercas (4) |
| 6 | Botón ▼ | 13 | LEDs de carga (rojo/verde) |
| 7 | Botón Ⓟ | | |

Figura 2-1. Vista del instrumento

El instrumento monitorea los gases en el aire ambiente y en la zona de trabajo.

Está disponible con un máximo de tres sensores, que pueden mostrar valores para cuatro gases separados (un sensor de toxicidad doble ofrece capacidades sensoriales de CO y H₂S en un solo sensor).

Si bien el instrumento puede detectar hasta el 30% de oxígeno en el aire ambiente, se aprueba para un uso de hasta el 21% de oxígeno solamente.

Los niveles de alarma para los gases individuales vienen configurados de fábrica y se pueden modificar mediante el menú de configuración del instrumento. Estos cambios también se pueden realizar a través del software MSA Link™. Se asegura que la última versión del software MSA Link™ ha sido descargada de la página web de MSA www.msanet.com.

Si el gas está presente durante la configuración de aire limpio, el instrumento falla e ingresa a la modalidad de medición.

2.2 Interfaces de hardware del dispositivo

El funcionamiento del instrumento es a través del diálogo con la pantalla mediante los tres botones de función (vea la FIGURA 2-1).

2.2.1 Definiciones de los botones

BOTÓN	DESCRIPCIÓN
ⓘ	El botón ⓘ se utiliza para encender o apagar el instrumento y para confirmar las selecciones de acción del usuario. Al presionar simultáneamente el botón ▲ y el botón ⓘ al iniciar el instrumento, aparece la modalidad de configuración de opciones.
▼	El botón ▼ se utiliza para desplazarse hacia abajo a través de pantallas de datos en el modo de medición o para retroceder páginas y reducir los valores en el modo de configuración. Manteniendo apretado este botón por 3 segundos mientras se encuentra en la modalidad de medición normal se activará la alarma InstantAlert™.
▲	El botón ▲ se utiliza para reiniciar el valor máximo, STEL TWA y aceptar alarmas (cuando sea posible) o acceder a la calibración en modo de medición. También se utiliza para desplazarse hacia arriba o aumentar los valores en modo de configuración.

2.2.2 Definiciones de los LED

LED	DESCRIPCIÓN
VERDE	El LED de seguridad parpadea una vez cada 15 segundos para avisar al usuario de que el instrumento está encendido y funcionando correctamente en las condiciones definidas en la sección 3.7. Esta opción se puede APAGAR mediante el software MSA Link.
ROJO	Los LED rojos son indicadores visuales de una condición de alarma o de cualquier tipo de error del instrumento.
AMARILLO	El LED amarillo es la indicación visual de una condición de falla del instrumento. Este LED se enciende (ON) bajo las siguientes condiciones: <ul style="list-style-type: none">• Error de memoria del instrumento• Sensor ausente• Error de sensor
ROJO / VERDE	El LED de Carga es una indicación visual del estado de carga. Rojo indica que el instrumento está cargando Verde indica que se ha completado la carga

2.2.3 Alarma de vibración

El instrumento está equipado con una alarma de vibración.

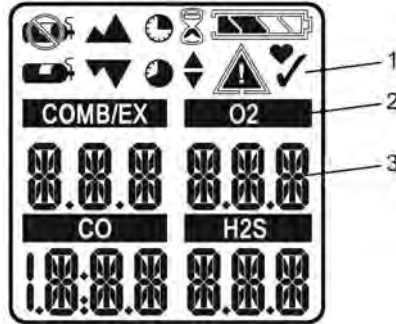
2.2.4 Luz de fondo

La contraluz se activa automáticamente cuando se presiona cualquier botón del tablero delantero, y permanece encendido (ON) durante el transcurso del intervalo de tiempo seleccionado por el usuario. La duración del encendido / apagado (ON/OFF) puede cambiarse mediante el software MSA Link.

2.2.5 Bocina

La bocina emite una señal acústica.

2.2.6 Indicadores en pantalla



1	Símbolos gráficos	2	Tipo de gas
3	Concentración de gas		
	Símbolo de alarma - Indica un estado de alarma.		No use cilindro de gas – Indica que no debe aplicarse el gas de calibración y que el instrumento debe exponerse al aire limpio.
	Símbolo de comprobación de funcionamiento – Indica funcionamiento o calibración correcta.		Reloj de arena – Indica que el usuario debe esperar.
	Indica la necesidad de interacción.		Mínimo – Indica un valor mínimo o alarma baja.
	Condición de la batería – Indica el nivel de carga de la batería.		Máximo – Indica un valor máximo o alarma alta.
	Etiquetas de los sensores.		Símbolo STEL – Indica una alarma STEL (límite de exposición a corto plazo).
	Motion Alert™ – Alerta de movimiento Indica que está activo		Símbolo TWA – Indica una alarma TWA (media ponderada en el tiempo).
	Cilindro de gas de calibración – Indica que debe aplicarse el gas de calibración.		Advertencia / indicador de fin de vida del sensor

Figura 2-2. Despliegue y símbolos gráficos

2.2.7 Indicador de carga de la batería

El icono del estado de la batería se muestra continuamente en el ángulo superior derecho de la pantalla en color. A medida que se agota la batería, los segmentos del icono de la batería irán desapareciendo hasta que sólo se observe el contorno de la batería.

Cada segmento representa aproximadamente 25 % de la capacidad total de la batería.

Advertencia de batería baja

ADVERTENCIA

Si se activa una alarma de alerta de fin de la batería mientras utiliza el instrumento, abandone el área de inmediato.


De no seguir esta advertencia podrían producirse daños personales serios o incluso la muerte.

El tiempo nominal de funcionamiento de un instrumento a temperatura ambiente es de 24 horas. El tiempo actual de funcionamiento variará, dependiendo de la temperatura ambiente y de las condiciones de alarma. El tiempo de funcionamiento del instrumento a -4 °F (-20 °C) será aproximadamente de 14 horas.

Una advertencia de batería baja indica que quedan 30 minutos nominales de funcionamiento antes de que se agote la batería.

El tiempo que dura el instrumento funcionando tras una advertencia de batería baja depende de la temperatura del ambiente.

Cuando se produce una advertencia de batería baja del instrumento:


- El indicador del estado de la batería parpadea
- La alarma suena
- Los LED de alarma parpadean
- “LOW BATT” y  parpadean en la pantalla.
- El instrumento repite esta advertencia cada 15 segundos y sigue funcionando hasta apagarlo o hasta que la batería se agota completamente.

Apagado de la batería

⚠ ADVERTENCIA

Si se activa la alarma de apagado de la batería, deje de usar el aparato dado que ya no tiene la energía suficiente para indicar peligros potenciales, y las personas cuya seguridad depende del instrumento pueden estar expuestas a lesiones graves o incluso a la muerte.

Cuando las baterías no pueden hacer funcionar el instrumento, éste pasa a la modalidad de apagado de la batería 60 segundos antes de apagarse completamente:

- "BATT ALARM" y  parpadean en la pantalla.
- La alarma suena y las luces parpadean; no se puede silenciar la alarma.
- No se puede ver ninguna otra página; después de aproximadamente un minuto, el instrumento se apaga automáticamente.

Al producirse el estado de apagado de la batería:

1. Abandone la zona de inmediato
2. Recargar o reponer el paquete de baterías.

Carga de la batería

⚠ ADVERTENCIA

Riesgos de explosión: No recargue el instrumento en un área peligrosa.

⚠ CUIDADO



El uso de un cargador diferente del suministrado con el instrumento podría dañar las baterías o cargarlas de forma incorrecta.

- El cargador es capaz de cargar un paquete completamente descargado en menos de cuatro horas en ambientes de temperatura normal.

NOTA: Deje que los instrumentos muy calientes o muy fríos seestabilicen a temperatura ambiente durante una hora antes de cargarlos.

- La temperatura ambiente mínima y máxima para cargar el instrumento es 10 °C (50 °F) y 35 °C (95 °F), respectivamente.
- Para mejores resultados, cargue el instrumento a temperatura ambiente (23 °C).

Para cambiar el instrumento

- Inserte firmemente el conector del cargador en el orificio del cargador en la parte posterior del instrumento.
- El símbolo de batería  se desplaza a través de un número de segmentos que va en aumento progresivo y el LED de carga permanece rojo hasta que se haya obtenido el 90% de la carga total. Entonces  permanece totalmente iluminado y el LED de carga cambia al color verde, mientras que se realiza la carga por goteo de la batería hasta alcanzar la capacidad total.
- Si se detecta un problema durante la carga, el símbolo de la batería destellará y el LED de carga es de color anaranjado. Desconecte el cargador momentáneamente para reiniciar el ciclo de carga.

2.2.8 Señal acústica de funcionamiento

Esta señal acústica se activa cada 30 segundos haciendo sonar momentáneamente la bocina y haciendo parpadear los LED de alarma bajo las siguientes condiciones:


- La señal acústica de funcionamiento está activada
- El instrumento se encuentra en la página normal de medición de gases
- El instrumento no se encuentra bajo una advertencia de batería baja
- El instrumento no se encuentra bajo una alarma de gas
- Las opciones visuales y audibles están activadas

2.3 Visualización de pantallas opcionales

La pantalla principal aparece al encender el instrumento.

Las pantallas opcionales se pueden visualizar presionando el botón ▼ para ir a:


2.3.1 Modalidad de funcionamiento

Para seleccionar la modalidad de funcionamiento, presione el botón .


Para avanzar, presione el botón .

Para regresar a la página principal, presione el botón .

2.3.2 Valores máximos (página MÁXIMO)

El icono máximo  muestra los niveles más altos de gas registrados por el instrumento desde el encendido o desde el reinicio de los valores máximos.

Para reiniciar los valores máximos:


1. Entre a la página MÁXIMO.
2. Presione el botón .

2.3.3 Valores mínimos (página MIN.)

Esta página muestra el nivel más bajo de oxígeno registrado por el instrumento desde el encendido o desde el reinicio de los valores mínimos.

El icono de mínimo  aparece en la pantalla.


Para reiniciar el valor MIN.:

1. Entre en la página MIN.
2. Presione el botón .

2.3.4 Límites de exposición a corto plazo (página STEL)

ADVERTENCIA

Si se activa la alarma STEL, abandone la zona contaminada de inmediato; la concentración de gas ambiente ha alcanzado el nivel de alarma STEL preestablecido. De no observar esta advertencia, se sufrirá una exposición excesiva a gases tóxicos y las personas cuya seguridad depende de este instrumento pueden sufrir lesiones graves o incluso la muerte.

El icono STEL  aparece en la pantalla para mostrar la exposición promedio durante un periodo de 15 minutos.

Cuando la cantidad de gas detectada por el instrumento es superior al límite STEL:

- la alarma suena
- los LED de alarma parpadean
- el icono STEL parpadea.

Para reiniciar el STEL:

1. Entre en la página STEL.
2. Presione el botón ▲.

La alarma STEL se calcula de acuerdo a una exposición de 15 minutos.

Ejemplos de cálculos STEL:

Imagine que el instrumento ha estado funcionando durante al menos 15 minutos:

- **15 minutos de exposición de 35 PPM:**

$$\frac{(15 \text{ minutos} \times 35 \text{ PPM})}{15 \text{ minutos}} = 35 \text{ PPM}$$

- **10 minutos de exposición de 35 ppm y 5 minutos de exposición de 15 ppm::**


$$\frac{(10 \text{ minutos} \times 35 \text{ PPM}) + (5 \text{ minutos} \times 15 \text{ PPM})}{15 \text{ minutos}} = 25 \text{ PPM}$$

Esta página puede desactivarse mediante MSA Link.

2.3.5 Media ponderada en el tiempo (página TWA)

ADVERTENCIA

Si se activa la alarma TWA, abandone la zona contaminada de inmediato; la concentración de gas ambiente ha alcanzado el nivel de alarma TWA preestablecido. De no observar esta advertencia, se sufrirá una exposición excesiva a gases tóxicos y las personas cuya seguridad depende de este instrumento podrán sufrir lesiones graves o incluso la muerte.

El icono TWA  aparece en la pantalla para mostrar la exposición promedio desde el encendido del instrumento o desde el reinicio del valor de TWA. Cuando la cantidad de gas detectada es superior al límite TWA de ocho horas:

- La alarma suena
- Los LED de alarma parpadean
- El icono TWA parpadea.

Para reiniciar la TWA:

1. Entre en la página TWA.
2. Presione el botón ▲.

La alarma TWA se calcula de acuerdo a una exposición de ocho horas.

Ejemplos de cálculos TWA:

- **1 hora de exposición de 50 PPM:**

$$\frac{(1 \text{ hora} \times 50 \text{ PPM}) + (7 \text{ horas} \times 0 \text{ PPM})}{8 \text{ horas}} = 6.25 \text{ PPM}$$

- **4 horas de exposición de 50 PPM y 4 horas de exposición de 100 PPM:**

$$\frac{(4 \text{ horas} \times 50 \text{ PPM}) + (4 \text{ horas} \times 100 \text{ PPM})}{8 \text{ horas}} = 75 \text{ PPM}$$

- **12 horas de exposición de 100 PPM:**

$$\frac{(12 \text{ horas} \times 100 \text{ PPM})}{8 \text{ horas}} = 150 \text{ PPM}$$

2.3.6 Visualización de la hora

La hora actual aparece en la pantalla en un formato de 12 horas por defecto.

Se puede seleccionar el formato de 24 horas, usando el MSA Link.

2.3.7 Visualización de la fecha

La fecha actual aparece en la pantalla en el formato de: MM-DD-AAAA.

2.3.8 Página de última calibración

Muestra la última fecha de calibración satisfactoria del instrumento en el formato: MM-DD-AAAA.

2.3.9 Página de vencimiento de calibración

Muestra los días restantes hasta la próxima calibración del instrumento (seleccionable por el usuario).

2.3.10 Activación de alerta de movimiento)

Para activar o desactivar la característica de alerta de movimiento, presione el botón ▲ mientras se muestra la página de activación de alerta de movimiento. Cuando la función de alerta de movimiento está activada, el símbolo △ destellará durante 3 segundos. El instrumento entrará en la modalidad de prealarma cuando no se detecte ningún movimiento durante 20 segundos. Esta condición puede reiniciarse moviendo el instrumento.

Después de 30 segundos de inactividad, la alarma de alerta de movimiento se activará. Esta alarma sólo puede borrarse presionando el botón ▲.

2.4 Alarma de ausencia del sensor


La alarma de ausencia de sensor se dispara si el instrumento detecta que un sensor no está correctamente instalado en el instrumento.

Si se detecta un sensor como ausente, ocurre lo siguiente:



- Aparece "SENSOR ERROR"
- La marca arriba del sensor detectado como ausente parpadea en la pantalla
- La alarma suena y las luces parpadean
- El LED Amarillo de Falla está encendido sólidamente
- Si se presenta un error de sensor durante el inicio, se apaga el instrumento al cabo de 60 segundos.

2.5 Advertencia de Vida del Sensor

Si un sensor se acerca al final de su vida de servicio, el instrumento advierte al usuario después de una calibración de sensores. Aunque el

sensor está plenamente operativo en este punto, la advertencia le proporciona suficiente tiempo al usuario para planificar un sensor de reemplazo y reducir el tiempo perdido al mínimo. El  se despliega de forma continua. Ver la sección 3.9 de Calibración para más detalles.

2.6 Indicador de Vida del Sensor

Si el instrumento no puede calibrar uno o más sensores, el instrumento desplegará "Span" "Err" seguido por la  y  para indicar el final de la vida del sensor. Consulte la sección 3.9 de Calibración para más detalles.

2.7 Monitoreo de gases tóxicos

El instrumento puede monitorear la concentración de los siguientes gases tóxicos en el aire ambiente:

- Monóxido de carbono (CO)
- Ácido sulfhídrico (H₂S).

El instrumento muestra la concentración de gas en partes por millón (PPM) o mg/m³ en la página de medición hasta que se selecciona otra página o se apague el instrumento.

ADVERTENCIA

Si se dispara una alarma mientras utiliza el instrumento, abandone la zona de inmediato.

Si permanece en el área de trabajo en dichas circunstancias, pueden producirse lesiones personales graves o incluso la muerte.

El instrumento dispone de cuatro alarmas de gas para cada gas tóxico:

- Alarma ALTA (HIGH)
- Alarma BAJA (LOW)
- Alarma STEL
- Alarma TWA

Si la concentración de gas alcanza o excede el valor preestablecido de alarma, el instrumento:

- Enciende la luz de fondo
- Se activa una alarma de vibración

- Muestra y hace parpadear el icono de alarma ▲ y el icono de MÍNIMO ▼ (alarma LOW) o el icono de MÁXIMO ▲▲ (alarma HIGH)
- Entra en estado de alarma.

2.8 Monitoreo de la concentración de oxígeno

El instrumento monitorea la concentración de oxígeno en el aire ambiente. Los valores preestablecidos de alarma se pueden activar de dos maneras diferentes:

- Enriquecida - Concentración de oxígeno > 20,8 % o
- Deficiente - Concentración de oxígeno > 19,5 %

Si bien el instrumento puede detectar hasta el 30 % de oxígeno en el aire ambiente, éste se aprueba para un uso de hasta 21 % de contenido de oxígeno solamente.

▲ ADVERTENCIA

Si se activa una alarma mientras utiliza el instrumento, abandone el área de inmediato.

La permanencia en la zona bajo tales circunstancias puede ocasionar heridas personales graves o la muerte.

Al alcanzar el valor preestablecido de alarma de cualquiera de los estados mencionados anteriormente:

- Suena una alarma
- Los LED de alarma parpadean
- Se activa una alarma de vibración
- Aparece y parpadea el icono de alarma ▲ y el icono MÍNIMO ▼ (alarma enriquecida) o el icono MÁXIMO ▲▲ (alarma deficiente) junto con la concentración de oxígeno correspondiente.

La alarma LOW (deficiente en oxígeno) está bloqueada y no se reiniciará automáticamente cuando la concentración de O₂ suba por encima del valor preestablecido LOW (bajo). Para reiniciar la alarma, presione el botón ▲. Si todavía existe la condición de alarma, el botón de ▲ silenciará la alarma sólo durante cinco segundos.

Las falsas alarmas de oxígeno pueden presentarse debido a cambios en la presión barométrica (altitud) o a cambios extremos en la temperatura ambiente.

Se recomienda realizar la calibración de oxígeno a la temperatura y presión de uso. Asegúrese de que el instrumento se encuentra en aire limpio antes de realizar una calibración.

2.9 Monitoreo de gases combustibles

El instrumento muestra la concentración de gas combustible en % LEL o % CH₄ en la página de medición hasta que se selecciona otra página o se apaga el instrumento.

▲ ADVERTENCIA

Si se activa una alarma mientras utiliza el instrumento, abandone el área de inmediato.

La permanencia en la zona bajo tales circunstancias puede ocasionar heridas personales graves o la muerte.

El instrumento tiene dos valores preestablecidos de alarma:

- Alarma ALTA (HIGH)
- Alarma BAJA (LOW)

Si la concentración de gas alcanza o excede el valor preestablecido de alarma, el instrumento:

- Enciende la luz de fondo
- Se activa una alarma de vibración
- Muestra y parpadea el icono de alarma ▲ y el icono de MÍNIMO ▼ (alarma LOW) o el icono de MÁXIMO ▲▲ (alarma HIGH)
- Entra en estado de alarma.

Cuando el instrumento alcance el 100% de LEL o el 5.00% de CH₄, el instrumento pasa al estado de Enclavamiento de Alarma. Se apaga el sensor de combustible y despliega “xxx” en vez de la lectura actual. Este estado sólo puede restablecerse APAGANDO y ENCENDIENDO el instrumento en un entorno de aire puro.

⚠ ADVERTENCIA

Una lectura de gas combustible de "100" ó "5.00" indica que la atmósfera es superior al 100 % de LEL o 5.00 %vol de CH₄, respectivamente, y existe peligro de explosión. Aléjese inmediatamente de la zona de peligro.

En dichos casos, se activa la función de alarma de bloqueo del instrumento.

3. Funcionamiento

El funcionamiento del instrumento es dirigido por el visualizador mediante la ayuda de los tres botones de función (consulte la sección 2).

3.1. Factores medioambientales

Una variedad de factores medioambientales pueden afectar los valores de lectura del sensor de gas, incluyendo cambios de presión, humedad y temperatura. Los cambios de humedad y presión influyen en la cantidad de oxígeno real presente en la atmósfera.

Cambios de presión

Si la presión cambia rápidamente (por ejemplo, al pasar a través de una cámara de aire), la lectura del sensor de oxígeno puede cambiar temporalmente y el detector podría emitir una alarma. Si bien el porcentaje de oxígeno permanece cerca o al 20.8 %vol, la cantidad total de oxígeno presente en la atmósfera disponible para respirar puede ser un riesgo si la presión total se reduce de manera considerable.

Cambios de humedad

Si la humedad cambia de manera considerable (por ejemplo, desde un entorno con aire acondicionado seco hacia un entorno exterior con aire húmedo), las lecturas de oxígeno se pueden reducir hasta el 0,5 %, debido al vapor de agua desplazando el oxígeno en el aire.

El sensor de oxígeno cuenta con un filtro especial para reducir los efectos de los cambios de la humedad en los valores de oxígeno. Este efecto no se percibirá de manera inmediata, pero influye lentamente en los valores de oxígeno al cabo de varias horas.

Cambios de temperatura

Los sensores cuentan con una compensación de temperatura integrada. Sin embargo, si la temperatura cambia considerablemente, la lectura del sensor puede cambiar. Ajuste a cero el instrumento en el temperatura del lugar de trabajo para obtener un efecto menor.

3.2. Encendido del instrumento y configuración de aire limpio

El funcionamiento del instrumento es dirigido por el visualizador mediante la ayuda de los tres botones de función (consulte la Sección 2.2.1). Si desea más información, consulte los diagramas en la Sección 7.





Encienda el instrumento con el  botón.

El instrumento realiza un autodiagnóstico y, a continuación, pasa a la configuración de aire limpio:

- Todos los segmentos de pantalla están activados
- Suena una alarma
- Luz LED de alarma
- La alarma de vibración se activa.

Durante el autodiagnóstico, el instrumento comprueba si hay sensores ausentes. En caso de faltar alguno, el instrumento muestra la pantalla de ausencia de sensor y la alarma suena hasta que se apaga el instrumento. De lo contrario, continúa la secuencia de encendido.

El instrumento muestra:

- Alarma y autotest
- Nombre del fabricante
- Nombre del instrumento
- Versión de software
- Descubrimiento de sensores
- Tipo de gas combustible
- Unidades de gas tóxico
- Valores preestablecidos de alarma ( , ) ( , )
- Valores de calibración
- Pantalla de fecha y tiempo
- Fecha de última calibración (si está activada)
- Fecha de vencimiento de calibración (si está activada)
- Opción de configuración de aire limpio.

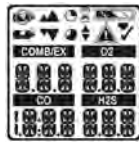
Consulte el diagrama en el Apéndice, en la sección 7.1.

3.2.1 Pantallas de visualización durante el encendido

Durante la secuencia de encendido, todos los tiempos de visualización automática de páginas están preestablecidos en un rango de dos a cuatro segundos. Se ejecutan varias secuencias y pantallas durante el encendido:

Autodiagnóstico del instrumento

El instrumento realiza un autodiagnóstico.



Nombre del instrumento y versión de software

Pantalla con el nombre del instrumento y la versión de software.



Tipo de gas combustible

Se muestra el tipo de gas combustible, por ejemplo: BUTANO. Puede cambiar el tipo de gas combustible manualmente mediante el SENSOR SETUP o el software MSA Link.



Unidades de gas tóxico

Nombre de las Unidades de Gas Tóxico muestra (ppm o mg/m³). Las unidades tóxicas sólo se pueden modificar mediante el software MSA Link.



Valores preestablecidos de alarma

Se visualizan los valores preestablecidos de alarma para todos los sensores activos e instalados. Se visualizan los valores los valores preestablecidos de alarma LOW, seguidos por los de alarma HIGH. Puede cambiar los valores preestablecidos manualmente mediante el menú Configuración o el software MSA Link.



Valores preestablecidos de STEL y TWA

Se visualizan los valores preestablecidos de STEL y TWA para los sensores activos e instalados.



Valores de calibración

Se visualizan los valores preestablecidos de STEL y TWA para los sensores activos e instalados.



Hora y fecha

La fecha se visualiza en el formato de mes, día y año. En caso de que la batería esté completamente descargada, la hora y la fecha se reinician. Durante el encendido, se le pide al usuario configurar la hora y la fecha.

Si falta la hora y la fecha, éstas serán reconfiguradas a [Ene-01-2008] con el reloj a las [00:00].



Fecha de última calibración o vencimiento de calibración

Estas opciones de visualización se pueden configurar con el software MSA Link. Si estas funciones no están configuradas las pantallas no se mostrarán.

- Por defecto se activa la última calibración.
- Por defecto se desactiva el vencimiento de calibración.



Configuración de aire limpio (FAS)

Se visualiza la pantalla FAS (configuración de aire limpio) (consulte la sección 3.2.2)



3.2.2 Configuración de aire limpio (FAS)

La configuración de aire limpio (FAS) es para la calibración ZERO (cero) automática del instrumento.

La configuración de aire limpio (FAS) tiene límites. El valor cero de cualquier sensor que esté fuera de estos límites no se ajustará por el comando FAS.

Si el ciclo de carga de la batería se interrumpe antes de que se complete (4 horas para una batería completamente descargada), permita que la temperatura interna del instrumento se estabilice durante 30 minutos antes de realizar una configuración de aire limpio.

⚠ ADVERTENCIA

No active la FAS a menos de que esté seguro de que el aire está limpio y no contaminado. De lo contrario, se pueden producir lecturas inexactas que pueden indicar erróneamente que una atmósfera peligrosa es segura. Si tiene dudas acerca de la calidad del aire que le rodea, no utilice la característica de Configuración de Aire Limpio (FAS). No utilice la FAS para sustituir las comprobaciones de calibración diarias. La comprobación de calibración es necesaria para verificar la precisión de span (intervalo). De no seguir esta advertencia podrían producirse daños personales serios o hasta la muerte.



Figura 3-1. Configuración de aire limpio

Si está activada esta opción el instrumento muestra "¿FAS?", pidiendo al usuario que realice una configuración de aire limpio.

1. Presione el botón ▲ para saltar la configuración de aire limpio.
 - Se omite la configuración de aire limpio
 - y el instrumento pasa a la página de medición (página principal).
2. Presione el botón ⏻ dentro de 10 segundos para realizar la configuración de aire limpio.
 - El instrumento inicia configuración de aire limpio.
 - La pantalla muestra un símbolo de ausencia de gas, un reloj de arena intermitente y la lectura de todos los sensores de gas activos.
 - Al final de la calibración FAS, el instrumento muestra "FAS OK" o "FAS ERR", junto con alertas de sensores que estaban fuera de los límites de FAS. Todos los sensores que están dentro de los límites FAS volverán a cero.

3.3. Modalidad de medición (funcionamiento normal)

En la modalidad de funcionamiento normal, el usuario puede comprobar las lecturas Máximas y Mínimas antes de borrar los valores de STEL y TWA o realizar una calibración Span (intervalo) o Zero (Ajuste a cero).

Las siguientes páginas de opciones se pueden ejecutar desde la pantalla de funcionamiento normal:

Página de Funcionamiento

Esta página permite al usuario realizar una comprobación de funcionamiento.



Página de Máximo

Esta página muestra los valores máximos de todos los sensores.



Página de Mínimo

Esta página muestra las lecturas mínimas para el sensor de oxígeno.



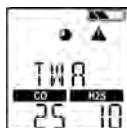
Página STEL

Esta página muestra los valores STEL calculados del instrumento.



Página TWA

Esta página muestra los valores de lectura TWA calculados del instrumento.



Página hora/fecha

Esta página muestra la configuración de hora y fecha real del instrumento.



Alerta de movimiento

Esta página permite la activación o desactivación de la característica de alerta de movimiento.



Mediante los tres botones del instrumento, el usuario puede navegar por cada submenú en secuencia descendente.

Consulte las secciones 2.3 y 7.3 en el apéndice para instrucciones detalladas en la navegación a través de estas pantallas.

3.4 Configuración del instrumento

Esta sección describe las opciones de configuración que están disponibles a través de los menús de configuración de opciones. Se pueden acceder a estos menús sólo cuando el instrumento está encendido y mientras se mantiene presionado el botón ▲ (consulte las secciones 3.2 y 7.3).

Esta modalidad puede activarse solamente cuando se enciende el instrumento. La operación es como se explica a continuación:

1. Mantenga presionado el botón ▲ mientras enciende el instrumento.
 - Use los botones ▲ y ▼ para entrar la contraseña de configuración. La contraseña de fábrica es "672".
2. Oprima el botón ⓧ para entrar en los menús de configuración.
 - Contraseña incorrecta: el instrumento accede a la modalidad de medición.
 - Contraseña correcta: el instrumento continúa/suena tres veces.

Se puede modificar la contraseña a través del software MSA Link.

En la modalidad de configuración:

- Presione el botón ⓧ para almacenar el valor seleccionado o ir a la página siguiente.
- Presione el botón ▲ para incrementar los valores de uno en uno o alternar entre ON/OFF (encendido/apagado).
- Mantenga presionado el botón ▲ para aumenta los valores de diez en diez.
- Presione el botón ▼ para disminuir los valores de uno en uno o alternar entre ON/OFF (encendido/apagado).

Mantenga presionado el botón ▼ para aumentar los valores de diez en diez.

Presionando los botones ▼ y ▲ están disponibles las siguientes opciones:

- Configuración de sensor (SENSOR SETUP) - consulte la sección 3.4.1
- Configuración de calibración (CAL SETUP) - consulte la sección 3.4.2
- Configuración de alarma (ALARM SETUP) - consulte la sección 3.4.3
- Configuración de hora y fecha (TIME SET) - consulte la sección 3.4.4
- EXIT (salir).

3.4.1 Configuración de los sensores

Cada sensor puede encenderse o apagarse.

Si desea más información, consulte los diagramas en la sección 7.6.



Figura 3-2. Configuración de sensor

1. Para omitir esta configuración, presione el botón ▲ o ▼; de lo contrario, proceda como se describe.
2. Para entrar en el submenú, presione el botón Ⓟ .
3. Utilice el botón ▲ o ▼ para cambiar la opción y confirmar con el botón Ⓟ .
4. Repita este procedimiento para el resto de los sensores.
5. Después de configurar el último sensor, proceda con la configuración de la calibración.

3.4.2 Configuración de la calibración

El usuario puede cambiar y configurar los valores de calibración para cada sensor. También es posible seleccionar si se quiere mostrar la pantalla de Venc de Cal y configurar el número de días hasta el siguiente vencimiento de calibración. Si desea más información, consulte los diagramas en la sección 7.7.



Figura 3-3. Configuración de la calibración

1. Para omitir esta configuración, presione el botón ▲ o ▼; de lo contrario, proceda como se describe.
2. Para entrar en el submenú, presione el botón Ⓟ .
 - Se visualiza el valor de concentración establecido de gas del primer sensor.
3. Presione el botón ▲ o ▼ para cambiar el valor.
4. Presione el botón Ⓟ para almacenar el valor.
 - Se muestra la pantalla de configuración para la visualización del siguiente sensor.
5. Repita el procedimiento para el resto de los sensores.
 - Después de configurar el último sensor, se le pide al usuario configurar CALDUE (vencimiento de calibración).
6. Presione el botón ▲ o ▼ para activar o desactivar. Presione el botón Ⓟ para confirmar la selección.
7. Si CALDUE está activado, presione el botón ▲ o ▼ para seleccionar el número de días.
8. Confirme con el botón Ⓟ .
9. Después de la confirmación, continúe con la configuración de la alarma.

3.4.3 Configuración de alarma

El usuario puede activar o desactivar todas las alarmas y cambiar los valores preestablecidos de alarma para cada sensor. Si desea más información, consulte los diagramas en la Sección 7.8. Ver sección 5.2 para límites de ajuste de alarma. El valor de la alarma alta puede configurarse a un valor mayor que el punto inferior de alarma solamente.



Figura 3-4. Configuración de alarma

1. Para omitir esta configuración, presione el botón ▼ o ▲; de lo contrario, proceda como se describe.

2. Para entrar en el submenú, presione el botón ϕ .
3. Active o desactive las alarmas presionando el botón \blacktriangle o \blacktriangledown .
Confirme con el botón ϕ .
 - Se visualizan las configuraciones de LOW ALARM (alarma baja) para el primer sensor
4. Presione el botón \blacktriangle o \blacktriangledown para cambiar el valor.
5. Presione el botón ϕ para almacenar el valor.
 - Se visualizan las configuraciones de HIGH ALARM (alarma alta) para el primer sensor.
6. Presione el botón \blacktriangle o \blacktriangledown para cambiar el valor.
7. Presione el botón ϕ para almacenar el valor.
 - Se visualizan las configuraciones de STEL ALARM (para sensores tóxicos solamente).
8. Presione el botón \blacktriangle o \blacktriangledown para cambiar el valor.
9. Presione el botón ϕ para almacenar el valor.
 - Se visualizan las configuraciones de TWA ALARM (para sensor tóxico solamente).
10. Presione el botón \blacktriangle o \blacktriangledown para cambiar el valor.
11. Presione el botón ϕ para almacenar el valor.
12. Repita el procedimiento para el resto de los sensores.
13. Después de configurar el último sensor, proceda con la configuración de hora y fecha.

60% de L.E.L. o 3.0% por volumen de metano es punto máximo de configuración que el usuario puede programar.

La alarma de combustible puede ser desactivada por el usuario en la configuración del instrumento. Cuando la alarma de combustible está desactivada, el único indicador para el usuario de que la alarma está desactivada ocurre durante el encendido del instrumento en que se indicará en la pantalla que la alarma de combustible está desactivada (OFF). Cuando la alarma está activada, la alarma de combustible alta está bloqueada. La alarma de combustible puede silenciarse momentáneamente presionando el botón \blacktriangle . Sin embargo, si la concentración de gas que causa la alarma todavía está presente, la unidad volverá al estado de alarma.

3.4.4 Configuración de hora y fecha

Este submenú sirve para configurar la hora y la fecha. Si desea más información, consulte los diagramas en la sección 7.9.



Figura 3-5. Configuración de hora y fecha

1. Para omitir esta configuración, presione el botón ▼ o ▲; de lo contrario, proceda como se describe.
2. Para entrar en el submenú, presione el botón Ⓟ .
3. Fije el mes presionando el botón ▲ o ▼.
4. Para confirmar el mes, presione el botón Ⓟ .
5. Repita este procedimiento para el día, el año, las horas y los minutos.
 - Por defecto, la hora aparece en la pantalla en un formato de 12 horas.
 - La pantalla EXIT (salir) aparecerá en seguida.
6. Al confirmar esta pantalla con el botón Ⓟ se sale de la configuración del instrumento.
 - Si los sensores no se han calentado todavía, se mostrara la cuenta regresiva.
 - El instrumento pasa luego a la modalidad de medición.

3.5 Registro de datos

Conexión del instrumento a la PC

1. Encienda el ALTAIR 4X y conecte el puerto de comunicación Datalink del ALTAIR 4X a la interfaz IR de la PC.
2. Use el software MSA Link para comunicarse con el instrumento. Consulte la documentación de MSA Link para instrucciones más detalladas.

3.6 Pruebas de funcionamiento del instrumento

Prueba de alarma

Encienda el instrumento. Verifique que:

- Todos los segmentos LCD estén activados momentáneamente
- Los LED de alarma parpadean
- La bocina suena brevemente
- La alarma de vibración se activa brevemente.

3.7 LED de seguridad

El instrumento está equipado con un "SAFE LED" (LED de seguridad) verde. Este SAFE LED verde parpadea cada 15 segundos en las siguientes circunstancias:

- La característica de SAFE LED está activada
- El instrumento está en modalidad de medición (funcionamiento normal)
- La lectura de combustible es 0% de LEL ó 0,00% de CH₄
- La lectura de oxígeno (O₂) es del 20,8%
- La lectura del monóxido de carbono (CO) es de 0 ppm ó 0 mg/m³
- La lectura del ácido sulfhídrico (H₂S) es de 0 ppm ó 0 mg/m³
- No hay presente ninguna alarma de gas (baja o alta)
- El instrumento no se encuentra en estado de alarma o de advertencia de batería baja
- Las lecturas de CO, H₂S, STEL y TWA son de 0 ppm ó de 0 mg/m³.

3.8 Prueba de funcionamiento (Bump Test)

Realice una prueba de funcionamiento BUMP antes del uso

▲ ADVERTENCIA

diario para verificar el funcionamiento correcto del instrumento. De no seguir esta prueba podría resultar en daños personales serios o hasta la muerte.

Esta comprobación confirma que los sensores de gas están en funcionamiento. Realice una calibración completa periódicamente para asegurar la fiabilidad del instrumento e inmediatamente después si el instrumento no pasa la comprobación de funcionamiento. La prueba de funcionamiento se puede realizar usando el siguiente procedimiento o automáticamente usando el Galaxy Test Stand.

CSA necesita (per 22.2 NO. 152) que la sensibilidad del instrumento se compruebe antes de iniciar cada día la jornada de trabajo con una concentración conocida de metano equivalente a 25 a 50% de la concentración total. LA PRECISIÓN DEBE ESTAR ENTRE 0 a +20% DEL VALOR ACTUAL. Se puede corregir la precisión realizando el procedimiento de calibración dentro de este manual.

3.8.1 Equipo

Ver la sección de accesorios para información de pedido de estos componentes.

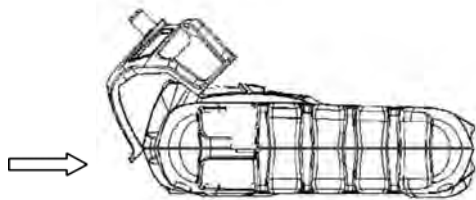
- Cilindro de gas de comprobación de calibración
- Regulador de flujo de 0,25 litros/min.
- Tubería Superthane Ester con DI de 1/8 pulg.
- Tapón de calibración ALTAIR 4X.

3.8.2 Realizar comprobación de funcionamiento

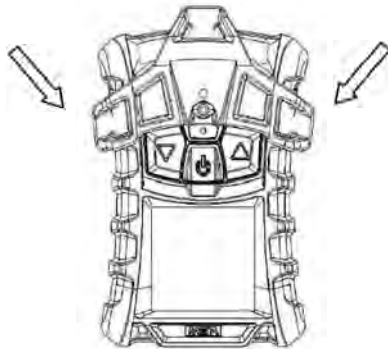
1. Desde la pantalla de medición normal presione ▼ para mostrar "BUMP TEST?".
2. Verifique que las concentraciones de gas mostradas sean iguales a las del cilindro de gas de comprobación de calibración (Calibration Check Gas Cylinder). Si no son las mismas, ajuste los valores mediante el menú de configuración de calibración, tal como se describe en la sección 3.4.2.



3. Coloque el tapón de calibración en el instrumento.
 - Ingrese la lengüeta en el tapón de calibración en el orificio del instrumento.
 - Presione el tapón, tal como se muestra hasta que encaje en el instrumento.



- Presione ambas lengüetas en el instrumento hasta que encajen.



- Asegúrese de que el tapón de calibración encaje correctamente.
 - Conecte un extremo de la tubería al tapón de calibración.
 - Conecte el otro extremo de la tubería al regulador del cilindro (suministrado en el conjunto de calibración).
4. Presione el botón Φ para iniciar la prueba de funcionamiento y después abrir la válvula en el regulador. El reloj de arena parpadeará y los sensores responderán al gas.



Después de terminar la prueba de funcionamiento, el instrumento mostrará momentáneamente "BUMP PASS" o "BUMP ERROR" junto con la etiqueta de cualquier sensor que haya fallado antes de regresar a la modalidad de medición. Si el instrumento falla la prueba de funcionamiento (Bump Test) realice una calibración como descrita en la sección 3.9.



- Se mostrará el símbolo ✓ en la modalidad de medición durante 24 horas después de realizar una comprobación de funcionamiento exitosa.

3.9 Calibración

Se puede calibrar el sistema ALTAIR 4X ya sea de forma manual usando este procedimiento o automáticamente usando el Galaxy Test Stand. Refiérase a la sección 7.7 del apéndice. La calibración se debe realizar usando un regulador de flujo con una configuración de tasa de flujo de 0.25 litros por minuto.

Si el ciclo de carga de la batería se interrumpe antes de que se complete (4 horas para una batería completamente descargada), permita que la temperatura interna del instrumento se estabilice durante 30 minutos antes de realizar una calibración.

NOTA: El GalaxyTest Stand no es un método de calibración certificado por CSA.

3.9.1 Configuración de aire limpio y Calibración Zero (a cero)

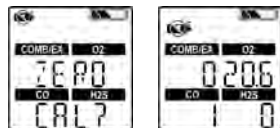
Para omitir el procedimiento ZERO y acceder directamente al procedimiento SPAN de calibración, presione el botón ▲. Si no presiona ningún botón durante 30 segundos, el instrumento le pide al usuario que realice una calibración SPAN antes de regresar a la modalidad de funcionamiento normal.

1. Presione y mantenga apretado el botón ▲ en la modalidad de funcionamiento normal durante más de tres segundos.
2. Si el bloqueo de calibración se selecciona, ingrese la contraseña.

- La pantalla ZERO aparecerá.

Si el bloqueo de calibración NO se selecciona:

- Aparece la pantalla ZERO.



3. Con el instrumento expuesto al aire fresco presione el botón ϕ para confirmar la pantalla ZERO. Podrá ocurrir ahora una Regeneración de sensores y Calibración a Cero.

NOTA: Alternativamente, presione el botón \blacktriangledown para ejecutar una puesta a punto de Aire Fresco (FAS) Consulte la sección 3.2.2. para más detalles.

- Después de terminar la calibración ZERO, el instrumento mostrará momentáneamente "ZERO PASS" o "ZERO ERR" junto con la alerta de cualquier sensor que haya fallado.



NOTA: Durante la calibración en ceros del instrumento, el sensor de O_2 también se calibra a intervalo a 20.8% O_2 de aire fresco, ajustando la curva de calibración según sea necesario. Durante la calibración de intervalo, la precisión del sensor de O_2 se verifica comparándose con una concentración conocida de gas de oxígeno sin ajustar la curva de calibración.

3.9.2 Calibración Span (de intervalo)

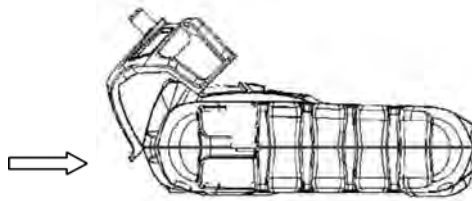
Para omitir el procedimiento Span, presione el botón ▲.

De no presionar ningún botón durante 30 segundos, el instrumento regresa a la modalidad de medición.

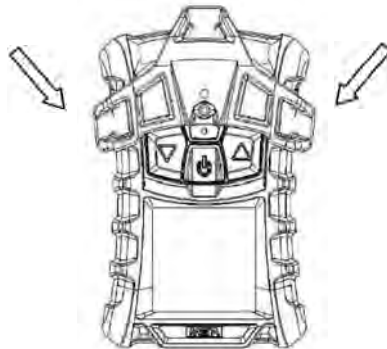
1. Una vez que se fija a zero (cero), se muestra la pantalla span (intervalo).
2. Conecte el gas de calibración apropiado al instrumento.



3. Coloque el tapón de calibración en el instrumento.
 - Ingrese la lengüeta en el tapón de calibración en el orificio del instrumento.
 - Presione el tapón, tal como se muestra hasta que encaje en el instrumento.



- Presione ambas lengüetas en el instrumento hasta que encajen.



- Asegúrese de que el tapón de calibración encaje correctamente.
 - Conecte un extremo de la tubería al tapón de calibración.
 - Conecte el otro extremo de la tubería al regulador del cilindro (suministrado en el conjunto de calibración).
- 4. Abra la válvula del regulador.
- 5. Presione el botón Φ para calibrar (span) el instrumento.
 - Los LED parpadean
 - Inicia la calibración SPAN.



Después de terminar con la calibración de SPAN, el instrumento mostrará momentáneamente "SPAN PASS".

Si un sensor se acerca al final de su vida de servicio, la indicación "SPAN PASS" viene seguida de una advertencia de vida de sensor (♥). El ícono de ♥ y el tipo de gas del sensor que se acerca al final de su vida parpadearán por 15 segundos cuando el instrumento vuelva al modo de Medición.



Si la calibración de span no es exitosa:

- Un Indicador de Vida del Sensor desplegará (▲ y ♥) tpara mostrar que el sensor ha alcanzado el final de su vida útil y debe reemplazarse
- La unidad permanece en el estado de alarma hasta que se presione el botón ▲
- Los símbolos ▲ y ♥ permanecerán en el despliegue hasta que se produzca una calibración exitosa, o se reponga el sensor en cuestión.

NOTA: Una calibración span puede fallar por muchas razones además de un sensor que se encuentra al final de su vida útil. Si se produce una falla de calibración span, confirme artículos tales como: el gas restante en el cilindro de calibración, la fecha de vencimiento del gas, la seguridad de la tapa de calibración, etc. y repita la calibración antes de reemplazar el sensor.

3.9.3 Finalización de calibración

1. Cierre la válvula del regulador.
2. Retire el tapón de calibración.

El procedimiento de calibración ajusta el valor de span para cualquier sensor que pasa la prueba de calibración; los sensores que no pasan la prueba no se cambian. Dado que puede haber gas residual, el instrumento puede activar brevemente una alarma de exposición después de haber completado la secuencia de calibración.

4. Mantenimiento

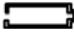
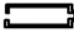



De presentarse un error durante el funcionamiento, utilice los códigos de error visualizados para determinar los pasos siguientes apropiados.

⚠ ADVERTENCIA

La reparación o alteración del Detector multigases ALTAIR 4X más allá de los procedimientos descritos en este manual o por una persona no autorizada por MSA, podría causar que el instrumento deje de operar de manera apropiada. Use piezas de repuesto originales MSA únicamente cuando realice cualquier procedimiento de mantenimiento descrito en este manual. La sustitución de componentes puede afectar seriamente el rendimiento del instrumento, alterar sus características intrínsecas de seguridad o cancelar la autorización de agencias.

DE NO SEGUIR ESTA ADVERTENCIA PUEDE RESULTAR EN DAÑOS PERSONALES SERIOS O LA MUERTE.

4.1 Resolución de problemas

PROBLEMA	DESCRIPCIÓN	SOLUCIÓN
ERROR TEMP	Temperatura es inferior a -40 °F (-40 °C) o mayor que 167 °F (75 °C)	Regrese el instrumento al rango normal de temperatura vuelva a calibrar. Contacte con MSA
ERROR EE	Error de memoria EEPROM	Contacte con MSA
ERROR PRG	Error de memoria Flash	Contacte con MSA
ERROR RAM	Error de memoria RAM	Contacte con MSA
ERROR UNK	Error desconocido	Contacte con MSA
 LOW BATTERY	La advertencia de la batería se repite cada 15 segundos	Ponga el instrumento fuera de servicio tan pronto como sea posible y recargue la batería
 BATTERY ALARM	Batería está completamente descargada.	El Instrumento no detecta gas. Póngalo fuera de servicio y recargue la batería.
ERROR DEL SENSOR	Sensor ausente	Verifique que el sensor esté correctamente instalado y vuelva a calibrarlo. Comuníquese con MSA si persisten los problemas
El instrumento no se enciende.	Nivel bajo de batería	Cargue el instrumento
	Advertencia del sensor	El sensor se encuentra cerca de la etapa final de su vida
 y 	Alarma del sensor	El sensor ha alcanzado la etapa final de su vida y no puede calibrarse. Reponga el sensor y vuelva a calibrar.

4.2 Procedimiento de mantenimiento en vivo - Reemplace y agregue un sensor

Antes de manipular al circuito impreso de la PC, el usuario

CUIDADO

debe estar correctamente conectado a tierra; de lo contrario, las cargas estáticas pueden dañar el sistema electrónico. La garantía no cubre dichos daños. Los equipos y tiras de conexión a tierra están disponibles con proveedores de sistemas electrónicos.

⚠ ADVERTENCIA

Retire y reinstale los sensores con cuidado, asegurándose de no dañar los componentes; de lo contrario, la seguridad intrínseca del instrumento puede verse afectada negativamente, puede producir lecturas erróneas y las personas cuya seguridad depende del instrumento pueden sufrir lesiones graves o incluso la muerte.

Para añadir un sensor a un instrumento que no viene equipado con una serie completa de sensores, retire el tapón de sensor de la parte frontal del alojamiento de sensor previamente sin utilizar.

⚠ CUIDADO

Mientras el armazón esté abierto, no toque ninguno de los componentes internos con objetos metálicos/conductores u herramientas. Puede ocurrir daños en el instrumento.

1. Verifique que el instrumento está apagado.
2. Retire los cuatro tornillos de la caja y quite la tapa delantera de la caja mientras verifica la orientación de la junta del sensor.
3. Levántelo con cuidado y deseche el sensor que va a ser reemplazado.
 - Usando los dedos solamente, retire delicadamente el sensor tóxico, de combustible o de oxígeno tirando suavemente de un lado a otro y sacándolo al mismo tiempo del receptáculo.
4. Alinee cuidadosamente las clavijas de contacto del nuevo sensor con los enchufes en el circuito impreso y presiónelo firmemente en su sitio.

NOTA: Asegúrese de que la orejeta del sensor esté alineada con la ranura en la parte superior del portador.

- Inserte el sensor de toxicidad en el lado izquierdo del soporte de sensor.
 - Inserte el sensor O₂ colocándolo en la posición derecha del soporte de sensor.
 - Inserte el sensor de combustible en la posición central del soporte de sensor.
 - Si no se va a instalar algún sensor, asegúrese de que un tapón de sensor se instale debidamente en su lugar.
5. Si reemplaza los filtros del sensor en esta ocasión:

- Cuidadosamente pele los filtros viejos teniendo cuidado de no dañar el interior del armazón.
 - En los nuevos filtros pele el revestimiento del adhesivo. Tenga en cuenta la orientación adecuada de cada filtro y aplique en la parte interior del armazón con la parte adhesiva contra el armazón.
 - Presione el filtro en su sitio sin dañar la superficie del mismo.
6. Reinstale la junta del sensor en la parte frontal del armazón.
 - Asegúrese de que la junta del sensor se instale correctamente.
 7. Coloque los tornillos.
 8. Encienda el instrumento (ON). El instrumento automáticamente detecta que se ha instalado un sensor nuevo y despliega la pantalla "SENSOR DSCVRY". Si el sensor reemplazado es el mismo que el sensor previo, el instrumento arranca normalmente. Prosiga al paso 10 y calibre el instrumento.
 9. Si el sensor instalado no es igual que la configuración anterior, el instrumento detecta la diferencia automáticamente cuando se le enciende (ON) mediante "SENSOR CHANGE" (cambio de sensor) en el despliegue, e indica al usuario que debe aceptar o rechazar el cambio. El despliegue presenta "ACCEPT?" (aceptar?) y se usa el botón a la izquierda ▼ para aceptar o se usa el botón a la derecha ▲ para rechazar el cambio. Intérnese en el arranque del sensor y active el sensor apropiado después de que se la haya solicitado la contraseña. Refiérase a la sección de montaje de sensores 3.4.1 para más detalles.
 10. Calibre el instrumento después de que los sensores se estabilicen.

Permita que los sensores se estabilicen por lo menos 30 minutos antes de la calibración.

▲ ADVERTENCIA

Después de instalar un sensor es necesario realizar una calibración; de lo contrario, el funcionamiento del instrumento no será el previsto y las personas cuya seguridad depende de este instrumento pueden sufrir lesiones graves o incluso la muerte.

4.3 Limpieza del instrumento

Limpie el exterior del instrumento con regularidad, utilizando tan solo un paño húmedo. No utilice agentes lubricantes, ya que muchos contienen siliconas que causan daño al sensor de combustible.

4.4 Almacenamiento

Cuando no lo utilice, guarde el instrumento en un lugar seguro y seco entre 18 °C y 30 °C (65 °F y 86 °F). Después de cada almacenamiento, compruebe siempre la calibración del instrumento antes de utilizarlo.

4.5 Envío

Empaque el instrumento en su empaque original, acolchado adecuadamente. Si no dispone del empaque original, utilice un empaque similar.

5. Certificaciones/especificaciones técnicas

5.1 Especificaciones técnicas

PESO	0,22 kg (7,9 oz) (instrumento con batería y clip de sujeción)			
DIMENSIONES (L x An x Alt)	10,56 x 7,2 x 3,29 cm. – sin el clip			
ALARMAS	Cuatro LED de alarma de gas, un LED de estado de carga, una alarma audible, y una alarma vibratoria			
VOLUMEN DE LA ALARMA ACÚSTICA	95 dB normalmente			
PANTALLA	Pantalla LCD			
TIPO DE BATERÍA	Batería Li polímero recargable. La batería Li polímero no se debe cargar en una zona explosiva.			
TIEMPO DE FUNCIONAMIENTO DEL INSTRUMENTO	24 horas a 25 °C (77 °F)			
DURACIÓN DEL TIEMPO DE CARGA	≤ 4 horas El voltaje de carga máxima en un área segura Um = 6.7 voltios C.C.			
RANGO DE TEMPERATURA	14 a 104 °F -4 a 122 °F 50 a 95 °F -40 a +140°F	(-10 a 40 °C) (-20 a 50 °C) (10 a 35 °C) (-40 a 60 °C)	en funcionamiento normal en funcionamiento extremo mientras carga la batería rango de temperatura ambiental de seguridad intrínseca	
RANGO DE HUMEDAD	15 - 90% humedad relativa, sin condensación; 5 - 95% HR intermitente			
RANGO DE PRESIÓN ATMOSFÉRICA	800 a 1200 mbar			
CLASIFICACIÓN DE PROTECCIÓN AMBIENTAL	IP 67			
MÉTODOS DE MEDICIÓN	Gases combustibles: sensor catalítico O₂ y Gases tóxicos: sensor electroquímico			
RANGO DE MEDICIÓN	Combustible 0-100% LEL 0-5.00% CH ₄	O₂ 0-30% Vol.	CO 0-1999 ppm	H₂S 0-200 ppm

5.2 Umbrales de Alarma y Puntos de Fijación Establecidos de Fábrica

Sensor	Alarma LOW (baja)	Alarma HIGH (alta)	STEL	TWA	Valor preestable. alarma mín.	Valor preestable. alarma máx.	Valores de calibración automática
LEL	10% LEL	20% LEL	--	--	5	60	58%
O ₂	19.5%	23.0%	--	--	5	29	15.0%
CO	25 ppm	100 ppm	100	25	15	1700	60 ppm
H ₂ S	10 ppm	15 ppm	15	10	5	175	20 ppm

Este instrumento no está aprobado para su uso en atmósferas que contengan >21 % de oxígeno.

5.3 Certificaciones

Véase la etiqueta del instrumento para las aprobaciones que aplican a su unidad específicamente.

EE.UU. y Canadá (Certificación para uso no minero)

Véase la etiqueta del instrumento para las aprobaciones que aplican a su unidad específicamente.

Comunidad Europea

El producto ALTAIR 4 cumple con las siguientes directivas, normas o documentos normalizados:

Directiva 94/9/EC (ATEX): II 1G Ex ia IIC T4, Ga IP67
(Zona 0 sin sensor de combustible instalado)

II 2G Ex d ia mb IIC T4 Gb, IP67
(Zona 1 con sensor de combustible instalado)

I M1 Ex ia I Ma (Zona 0)
Ta = -40 °C to +60 °C
EN60079-29-1 ATEX Certificación de rendimiento de gas inflamable para Grupos I y II
EN50104 ATEX Certificación de rendimiento de oxígeno

CE 0080

Directiva 2004/108/EEC (EMC): EN50270 Tipo 2, EN61000-6-3

Australia/Nueva Zelanda Test Safe Australia
Ex ia s IIC T4, -40 °C a +60 °C, IP67 (Zona 0)

IECEx TestSafe Australia
Ex ia I IP67 (Zone 0)
Ex ia mb d IIC T4 IP67 (Zona 1) - Cuando el Sensor de combustibles XCell está instalado
Ex ia IIC T4 IP67 (Zona 0) - Cuando el Sensor de combustibles XCell no está instalado
Ta = -40° C to + 60° C

Especificación de rendimiento

5.4.1 Gas combustible

Rango	0 a 100 % LEL ó 0 a 5 % CH ₄
Resolución	1 % LEL ó 0.05 % vol CH ₄
Reproducibilidad	3 % LEL, 0 % a 50 % LEL ó 0.15 % CH ₄ , 0.00 % a 2.50 % CH ₄ (rango de temperatura normal)
	5 % LEL, 50 % a 100 % LEL ó 0.25 % CH ₄ , 2.50 % a 5.00 % CH ₄ (rango de temperatura normal)
	5 % LEL, 0 % a 50 % LEL ó 0.25 % CH ₄ , 0.00 % a 2.50 % CH ₄ (rango ampliado de temperatura)
	8 % LEL, 50 % a 100 % LEL ó 0.40 % CH ₄ , 2.50 % a 5.00 % CH ₄ (rango ampliado de temperatura)
Tiempo de respuesta (típico)	90 % de la lectura final < 15 segundos (pentano) < 10 segundos (metano) (rango de temperatura normal)

5.4.2 Oxígeno

El sensor de oxígeno cuenta con una compensación de temperatura integrada. Sin embargo, si la temperatura cambia considerablemente, la lectura del sensor de oxígeno puede cambiar. Reinicie el instrumento a la temperatura en el lugar de trabajo para obtener un efecto menor.

Rango	0 a 30 % vol. O ₂
Resolución	0,1 % vol. O ₂
Reproducibilidad	0,7 % vol. O ₂ para 0 a 30 % vol. O ₂
Tiempo de respuesta (típico)	90 % de la lectura final. < 10 segundos (rango de temperatura normal)
Sensibilidad cruzada del sensor de oxígeno	El sensor de oxígeno no tiene sensibilidades cruzadas comunes.

5.4.3 Monóxido de carbono

Rango	0 - 1999 ppm CO
Resolución	1 ppm CO para 6 - 1999 ppm H ₂ S
Reproducibilidad	± 5 ppm CO o 10 % de lectura, cualquiera sea mayor (rango de temperatura normal),
	± 10 ppm CO ó 20 % de lectura, el que sea mayor (rango ampliado de temperatura)
Tiempo de respuesta (típico)	90 % de la lectura final < 15 segundos (rango de operación normal)

GAS DE PRUEBA APLICADO	CONCENTRACIÓN (PPM) APLICADA	% DE SENSIBILIDAD CRUZADA DEL CANAL DE CO
Sulfuro de hidrógeno (H ₂ S)	40	0
Monóxido de carbono (CO)	100	100
Óxido nítrico (NO)	50	84
Dióxido de nitrógeno (NO ₂)	11	0
Dióxido de azufre (SO ₂)	9	-4
Cloro (Cl ₂)	10	0
Ácido cianhídrico (HCN)	30	-5
Amoniaco (NH ₃)	25	0
Tolueno	53	0
Isopropanol	100	-8
Hidrógeno (H ₂)	100	48

5.4.4 Ácido sulfhídrico

Rango	0 - 200 ppm H ₂ S
Resolución	1 ppm H ₂ S para 3 - 200 ppm H ₂ S
Reproducibilidad	± 2 ppm H ₂ S o 10 % de lectura, el que sea mayor (rango de temperatura normal)
	± 5 ppm H ₂ S ó 10 % de lectura, el que sea mayor (rango ampliado de temperatura)
Tiempo de respuesta (típico)	90 % de la lectura final < 15 segundos (rango de operación normal)

GAS DE PRUEBA APLICADO	CONCENTRACIÓN (PPM) APLICADA	% DE SENSIBILIDAD CRUZADA DE CANAL DE H ₂ S
Sulfuro de hidrógeno (H ₂ S)	40	100
Monóxido de carbono (CO)	100	1
Óxido nítrico (NO)	50	25
Dióxido de nitrógeno (NO ₂)	11	-1
Dióxido de azufre (SO ₂)	9	14
Cloro (Cl ₂)	10	-14
Ácido cianhídrico (HCN)	30	-3
Amoniaco (NH ₃)	25	-1
Tolueno	53	0
Isopropanol	100	-3
Hidrógeno (H ₂)	100	0

5.5 Patentes de Sensor XCell

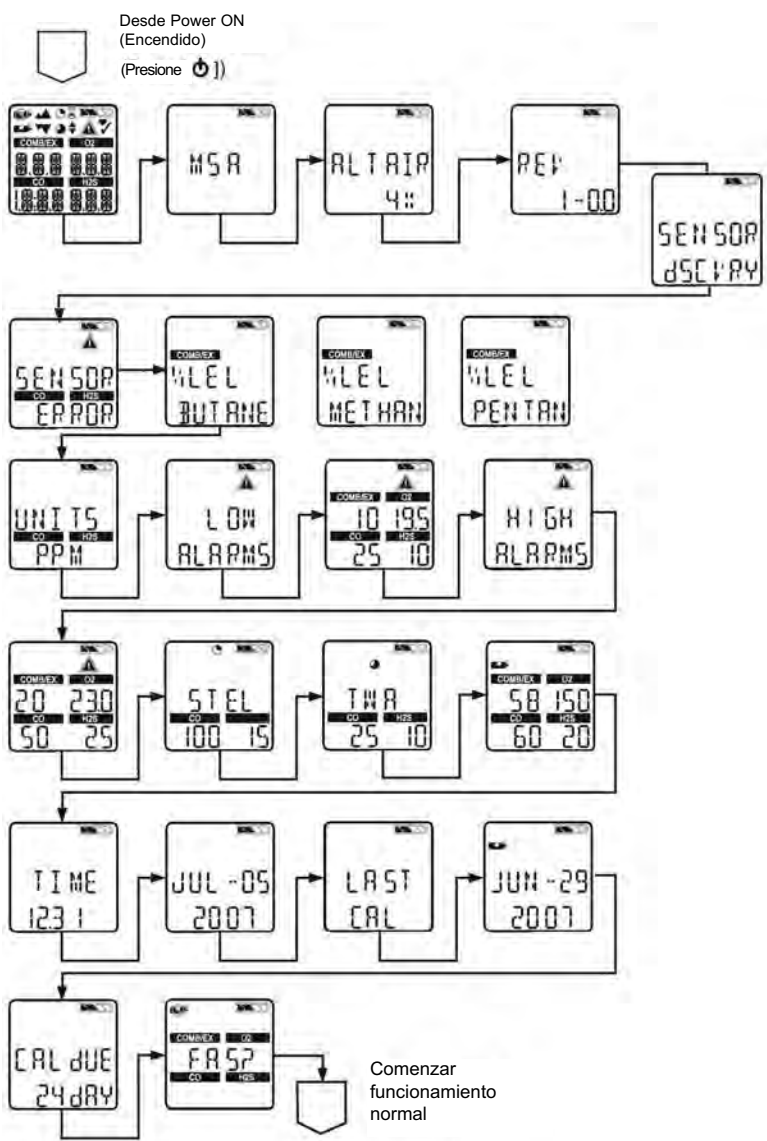
1. Combustible (N/P 10106722): Patente en Trámite
2. Oxígeno (N/P 10106729): Patente en Trámite
3. Monóxido de carbono/Sulfuro de hidrógeno (N/P 10106725): Patente en Trámite

6. Información de pedidos

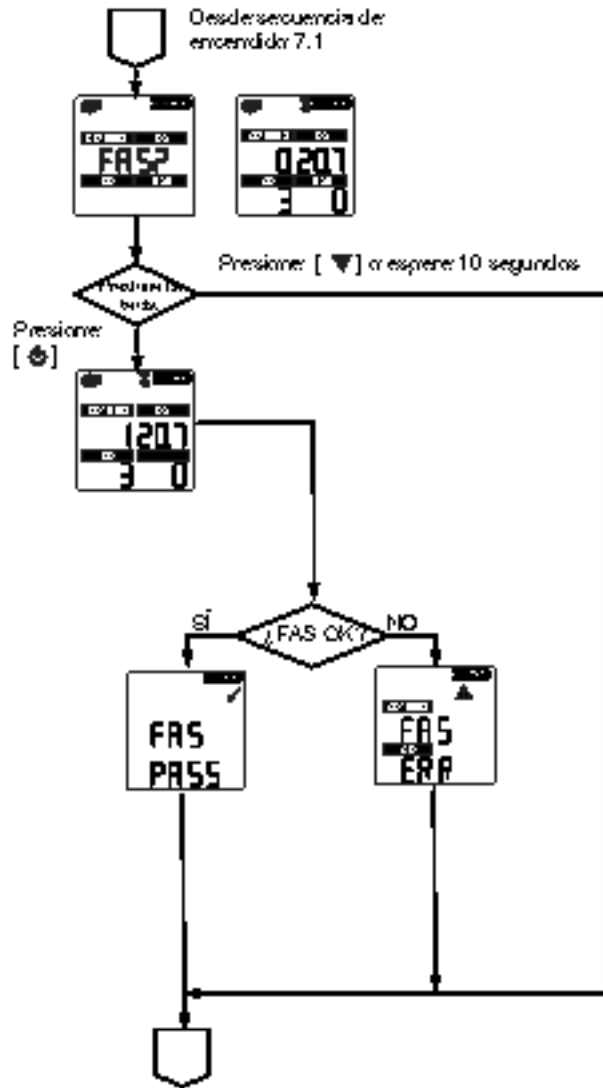
DESCRIPCIÓN	Nº DE PIEZA
Clip de suspensión SS	10069894
Mezcla de cuatro gases, 34 l (1,45 % CH ₄ , 15 % O ₂ , 60 ppm CO, 20 ppm H ₂ S)	10048280
Mezcla de cuatro gases, 58 l (1,45 % CH ₄ , 15 % O ₂ , 60 ppm CO, 20 ppm H ₂ S)	10045035
Sonda de bomba universal (UL)	10046528
Sonda de bomba universal (CSA)	10055576
Sonda de bomba universal (AUS)	10047594
Sonda de bomba universal (ATEX)	10047596
Conjunto de calibración (tapón, tubería, conector)	10089321
Suministro de Potencia para Norteamérica con Conector de Carga	10092233
Suministro de Potencia Global con Conector de Carga	10092936
Ensamblado de Zócalo de Carga con Suministro de Potencia (North America)	10087368
Ensamblado de Zócalo de Carga con Suministro de Potencia (Australia)	10089487
Ensamblado de Zócalo de Carga con Suministro de Potencia (Europe)	10086638
Ensamblado de Zócalo de Carga para Vehículos	10095774
CD-Rom de software MSA Link	10088099
Adaptador JetEye IR con conector tipo USB	10082834
Juego de reemplazo de sensor de combustible	10106722
Juego de reemplazo de sensor O ₂	10106729
Juego de reemplazo de sensor CO/H ₂ S	10106725
Juego de Reemplazo para Sensor Sencillo de CO	10106724
Juego de Reemplazo para Sensor Sencillo de H ₂ S	10106723
Caja delantera con filtros de polvo integrales (carbón)	10110030
Caja delantera con filtros de polvo integrales (fosforescentes)	10110029
Tarjeta principal con paquete de batería	10106621
Conjunto de bastidor LCD (bastidor, LCD, tiras cebra, tornillos)	10110061
Junta de sensor, tornillos (4x), autoroscantes (2x)	10011062
CD del Manual de funcionamiento ALTAIR 4X	10106623

7. Apéndice – Diagramas

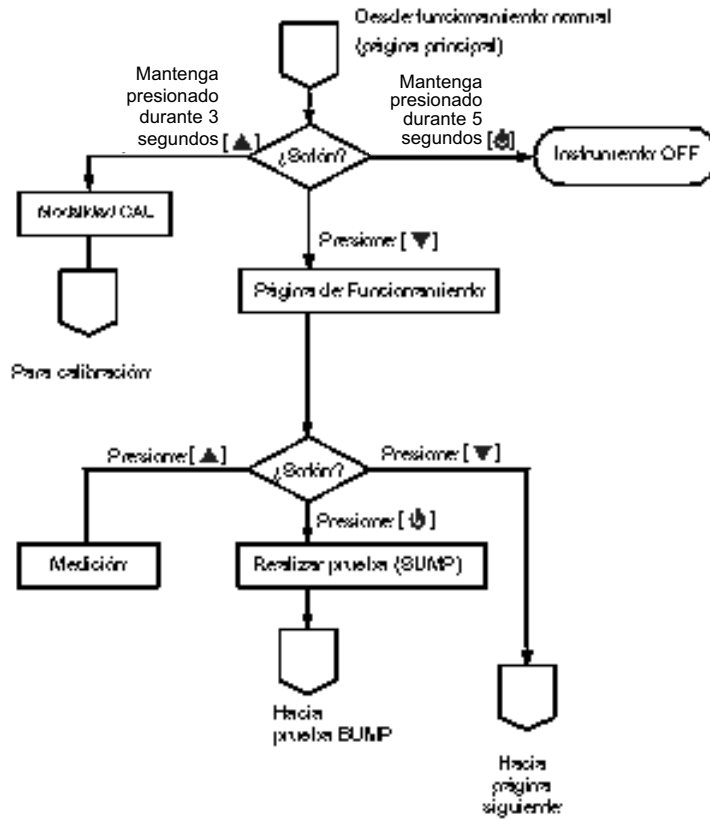
7.1. Secuencia de encendido (Power ON)

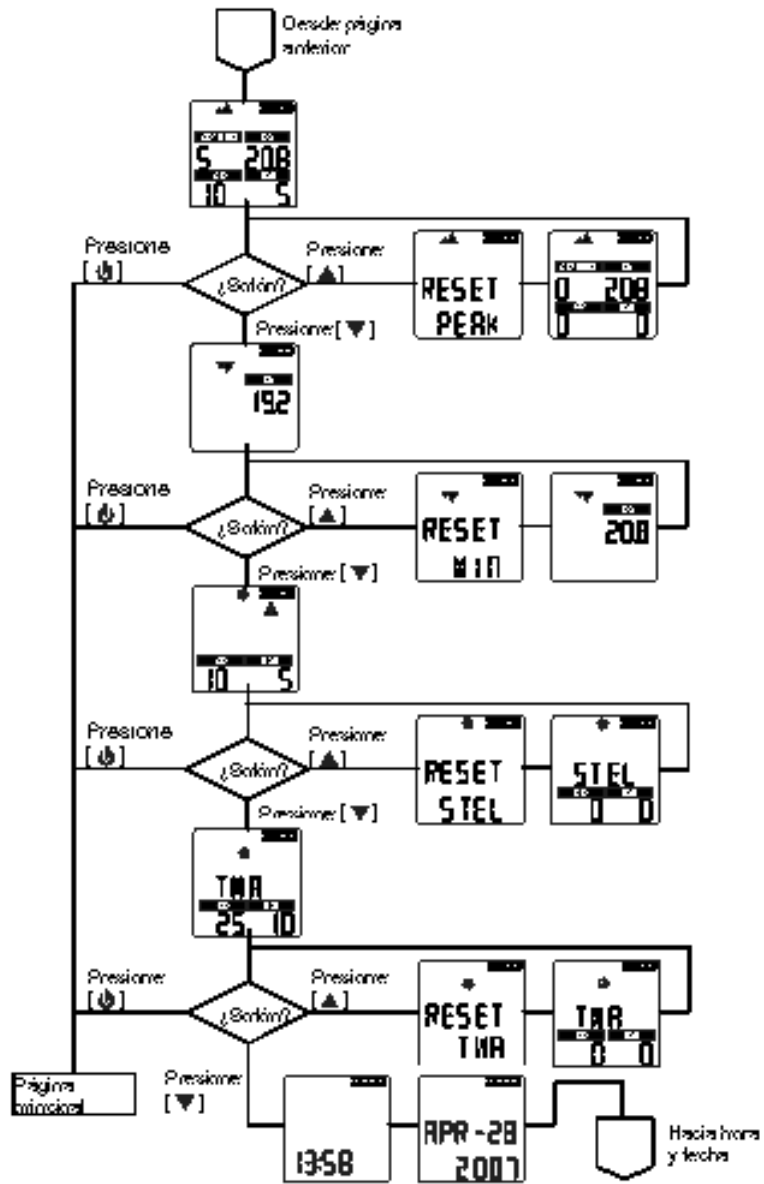


7.2 Configuración de aire limpio

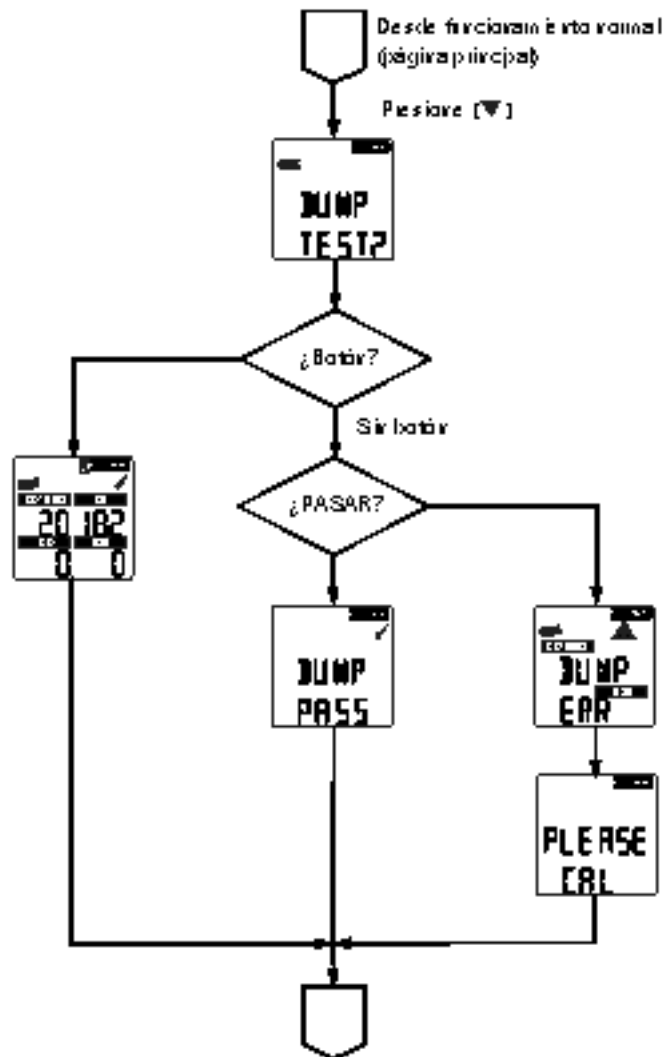


7.3 Controles de pantalla de reinicio

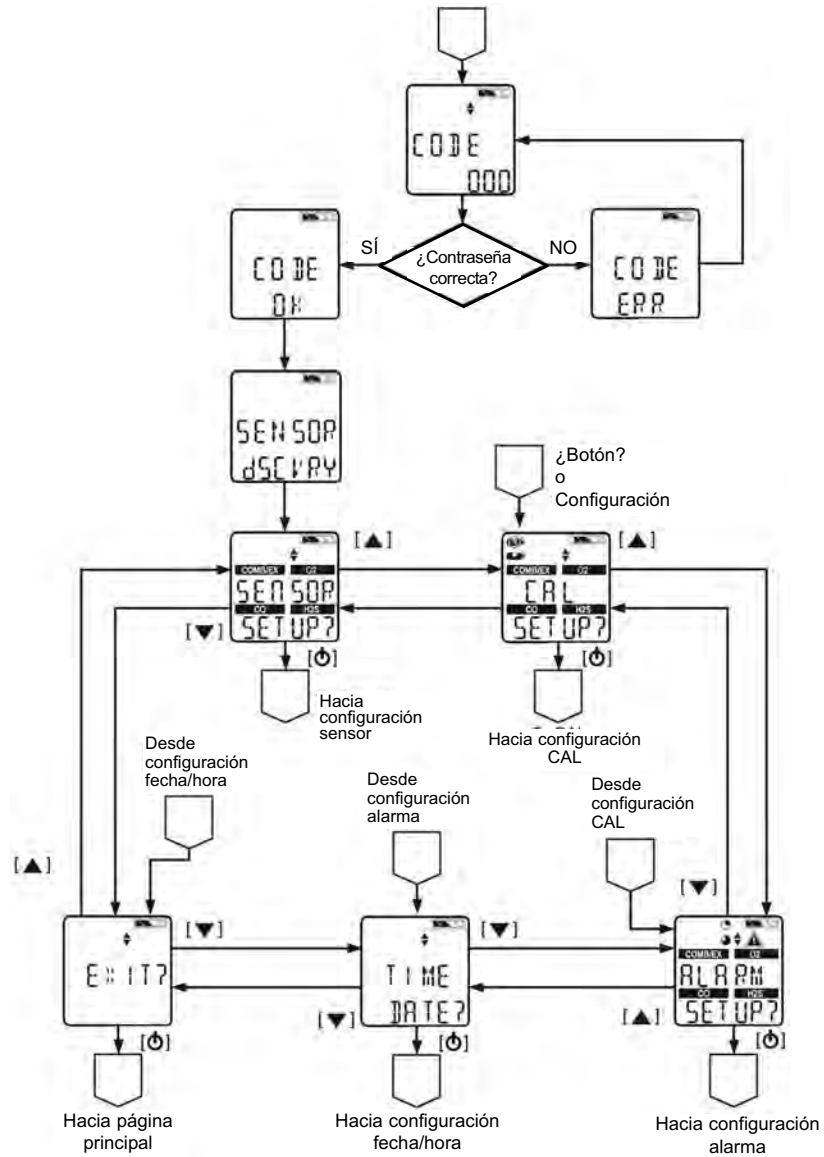




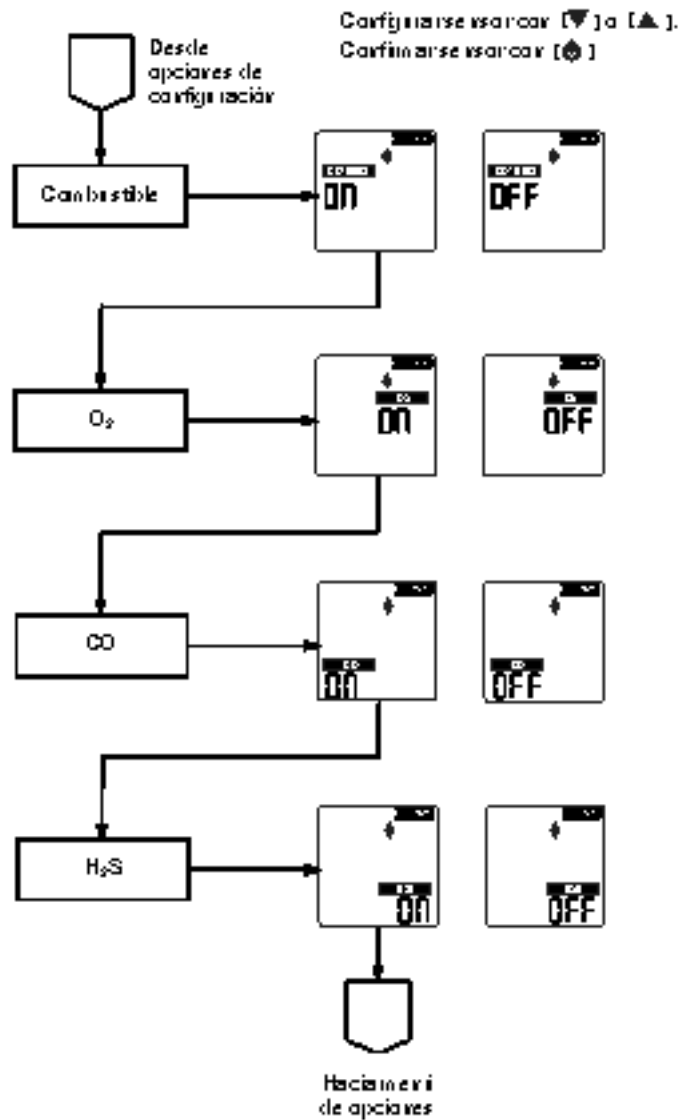
7.4 Prueba de funcionamiento (Bump Test)



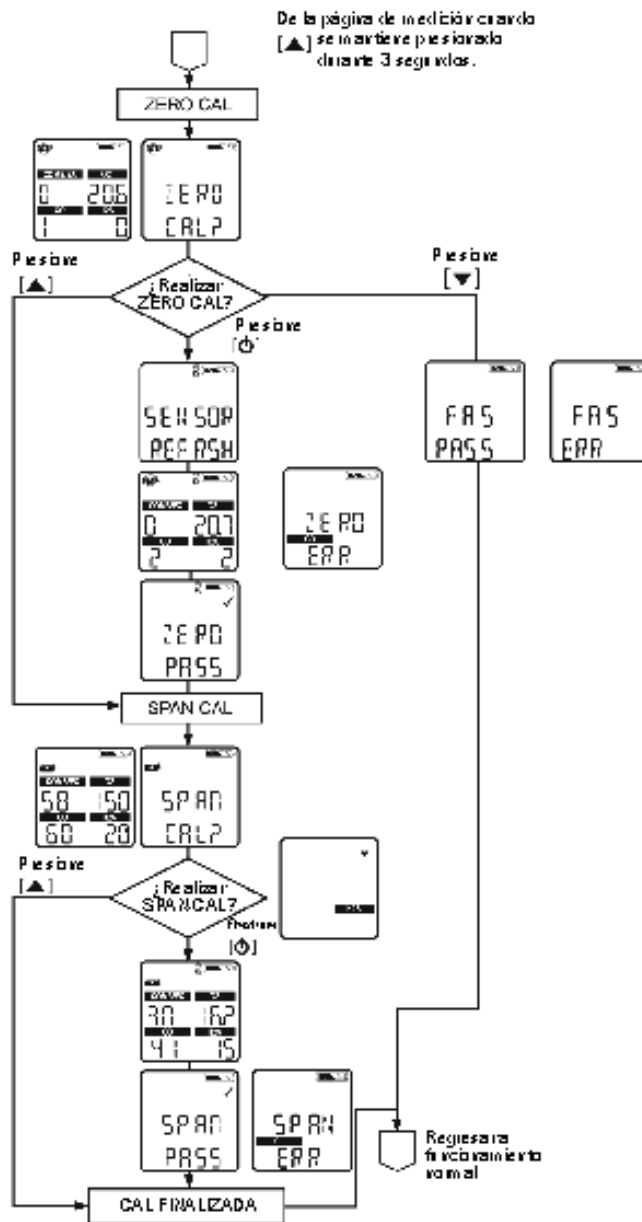
7.5 Configuración de opciones



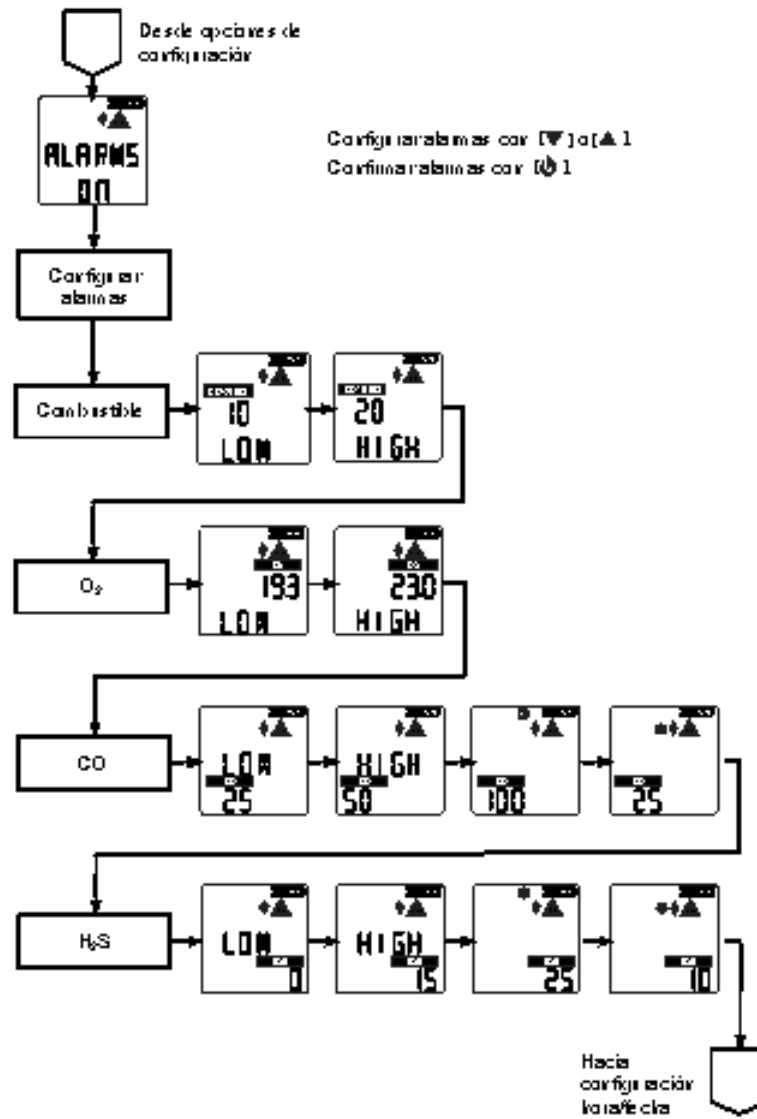
7.6 Configuración de sensor



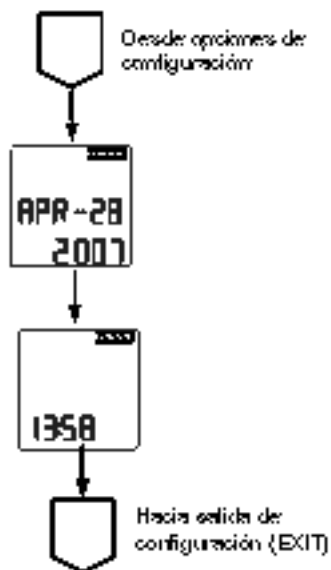
7.7 Calibraciones



7.8 Configuración de alarma



7.9 Configuración de hora y fecha



Ex-Ox-Tox Gasdetectie
Westerdreef 5V
2152 CS Nieuw-Venep
Telefoon: 0252 620885
E-mail: info@exotox.nl
Website: www.exotox.nl